



ODC-730 Overhead Door Closer



Power Adjustable EN 2~5





ODC-730 Series is a high end quality offers multi-function operation for architectural and Commercial applications.

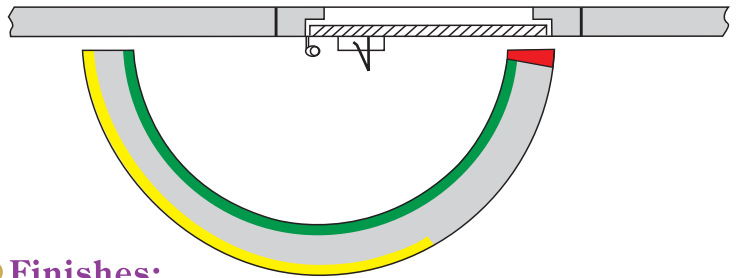
- Four different power adjustable (EN2~5) for interior or exterior doors.
- Suitable for LH(left hand) and RH(right hand) doors.
- Non-handed Installation.
- Adjustable Backcheck(Optional).

Construction & Technical Details:

- Body Constructed with precision extruded aluminium alloy, and steel arm passively against rust & high quality steel internal Components.
- Compact design with minimized projection allowing installation to door having adjacent return wall at 90°.
- Heat treated steel rack & pinion immersed in high grade oil operate a nest of coils to give a smooth precise action & minimum wear.
- Extra tensile strength alloy steel springs.
- A built-in pressure relief valve protects the closer against abuse usage.
- Stable hydraulic fluid-low sensitivity to temperature change.
- Totally reversible without adjustment.

Date & Features

Closing Force, Spring Strength	EN2~5
Standard Door Width:	850~1250mm.
Standard Door Weight:	40~100kgs.
Max. Opening Angle :	180°
Closing Speed Adjustable :	180°~15°
Adjustable Latching Action :	15°~0°
Backcheck from approx :	70°~180°



● **Finishes:**

- Baked Painted: Silver, White, Black, Brown Gold.
- Other Colors upon request.

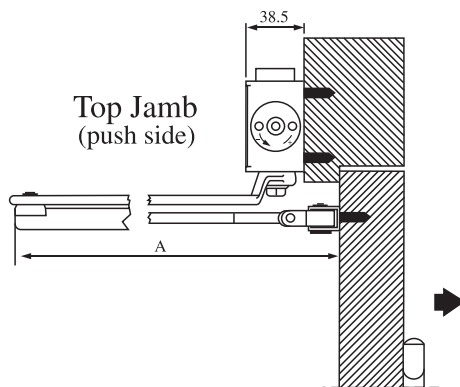
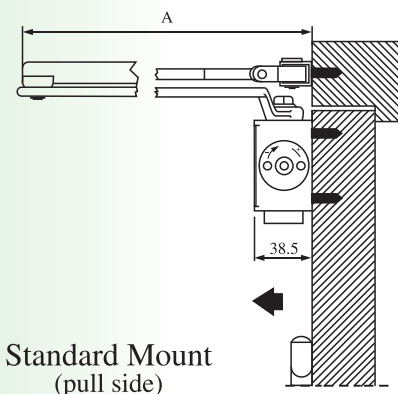
● **Certificates & Approvals:**

- BS EN1154:1996+A1:2002
- BS EN1634:Part 1 & 3:2000
- CE mark.

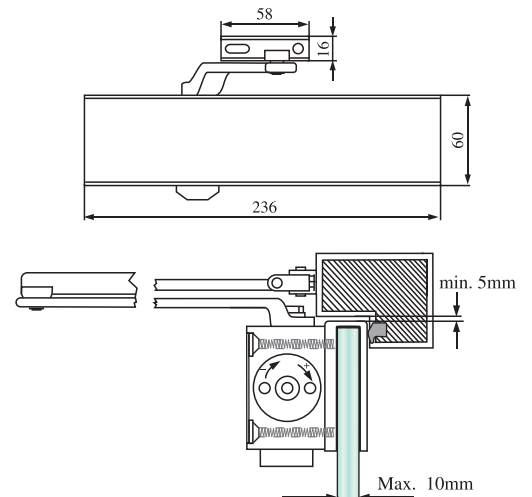
ODC-730B Overhead Door Closer (Body Only)



Dimension A for standard =approx.275mm
Dimension A for hold-open arm =approx.285mm



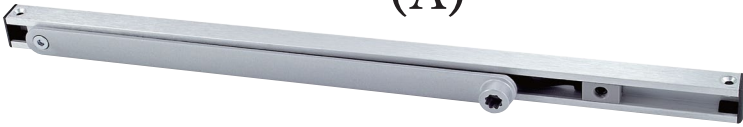
Standard Arm With Saddle Plate (FP-02).



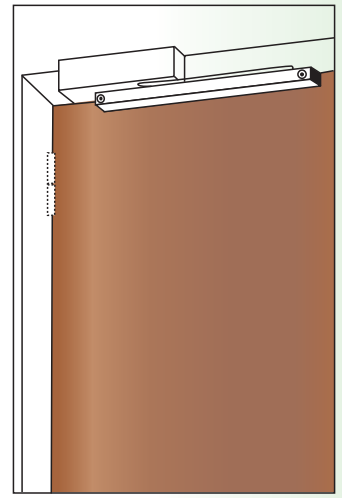
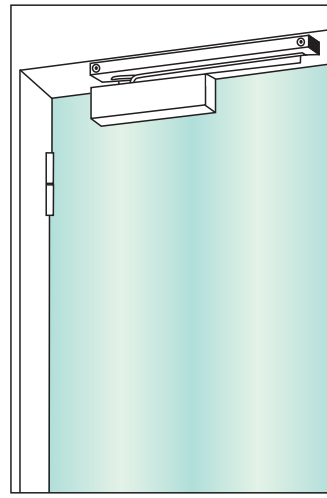
SLC-01 Slide Arm and Channel

- for hold-open

(A)

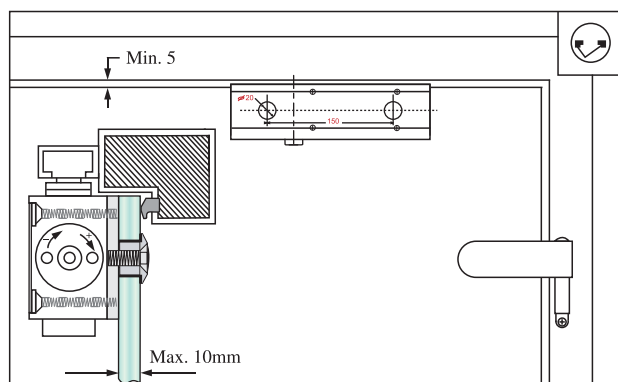
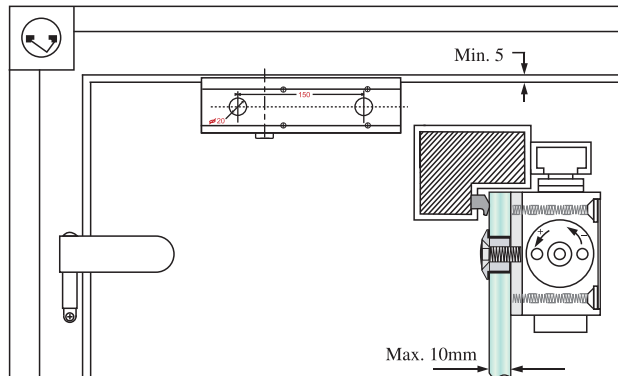
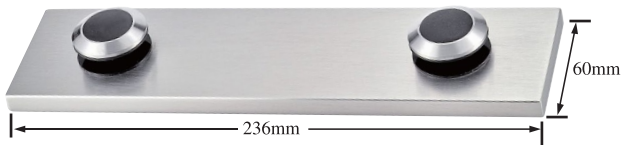


(B)



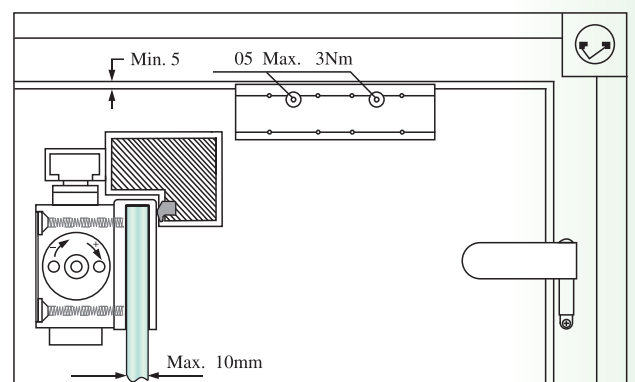
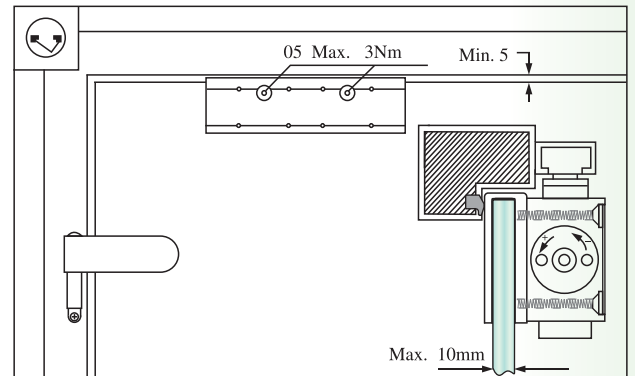
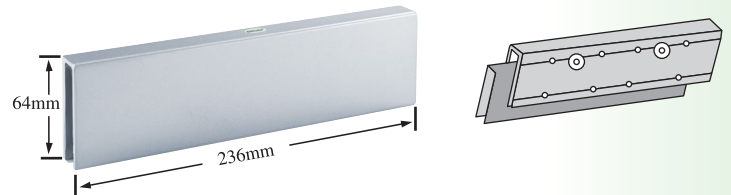
FP-01 Fixing Plate

- For fix Door Closer on glass door panel.
- Two Ø20mm holes required on glass door panel.

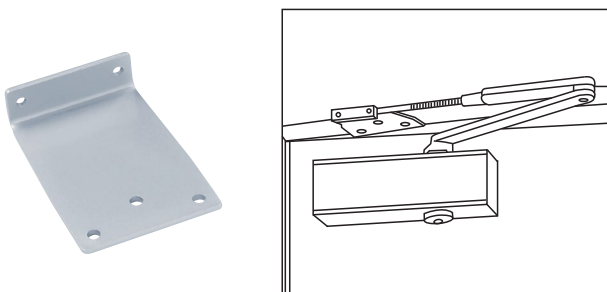


FP-02 Saddle Plate

- For fix ODC-730B Door Closer on glass door panel.
- No hole required on glass door panel.

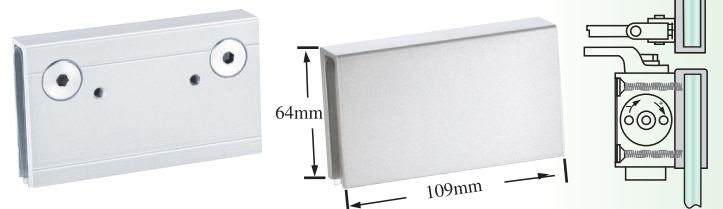


PB-01 Parallel Bracket



FP-04 Saddle Plate

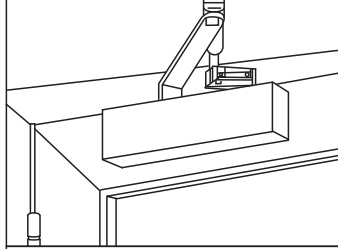
- For fix Standard Arm on glass Overpanel.
- No hole require on glass panel.



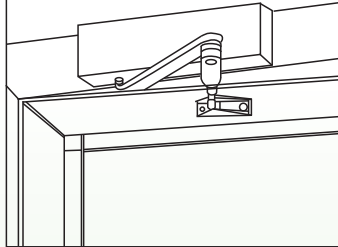
AM-7301 Standard Arm



Regular Fixing



Transom Fixing



AM-7302 Hold Open Arm

- Angle adjustable



- Detail installation instruction packed with closer.

GCC Door Controllers



GTS-850



ODC-680



ODC-730



GTS-650



GTS-840
• Spindle Fixed



GTS-840
• Spindle Interchangeable

- For products detail information or technical assistance, please contact your nearest **GCC** distributors.



PGF

Prestige Glass Fittings

Unit 8/3 Selgar Ave
 Clovelly Park, SA 5042
Phone: 0429 933 583
Email: sales@prestigeglassfittings.com.au
Web: www.prestigeglassfittings.com.au

Notes:

