

# ODC-680

## Overhead Door Closer

### Surface Mounted

**GCC**<sup>®</sup>



BS EN 1154: 1996+A1 : 2002

BS EN 1634: part3 : 2000

Power Selectable

EN 2~EN 4





ODC-680 series ideally suit for most Common door for architectural and Commercial applications.

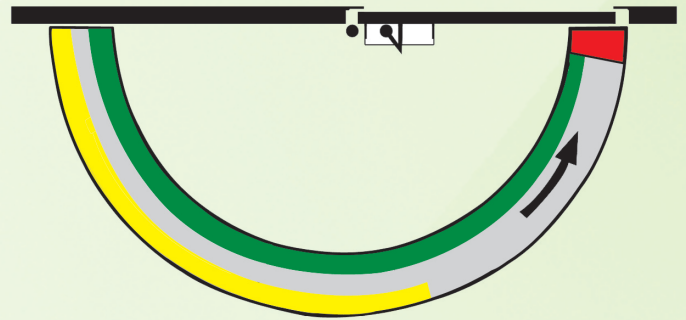
- ⊙ Three different power adjustable(EN2~4) for interior or exterior doors.
- ⊙ Suitable for LH(left hand) and RH(right hand) doors.
- ⊙ Non-handed Installation.
- ⊙ **Backcheck optional.**

### Construction & Technical Details

- ⊙ Body Constructed with precision die-cast aluminium alloy, and steelarm Passively against rust & high quality steel internal Components.
- ⊙ Compact design with minimized projection allowing installation to door having adjacent return wall at 90° .
- ⊙ Heat treated steel rack & pinion immersed in high grade oil operate a nest of coils to give a smooth precise action & minimum wear.
- ⊙ Extra tensile strength alloy steel springs.
- ⊙ A built-in pressure relief valve protects the closer against abuse usage.
- ⊙ Stable hydraulic fluid-low sensitivity to temperature change.
- ⊙ Totally reversible without adjustment.

### Date & Features

Closing Force, Spring Strength	EN2~4	
Standard Door Width:	850~1100mm	
Standard Door Weight:	40~80kgs	
Max. Opening Angle:	EN2~3 180° EN4 105°	
Closing Speed Adjustable:	180°~15°	
Adjustable Latching Action:	15°~0°	
Backcheck from approx:	70°~180°	



### ⊙ Certificates & Approvals

- .BS EN 1154: 1996+A1 : 2002
- .BS EN 1634: part 1 & 3 : 2000
- .CE Mark.

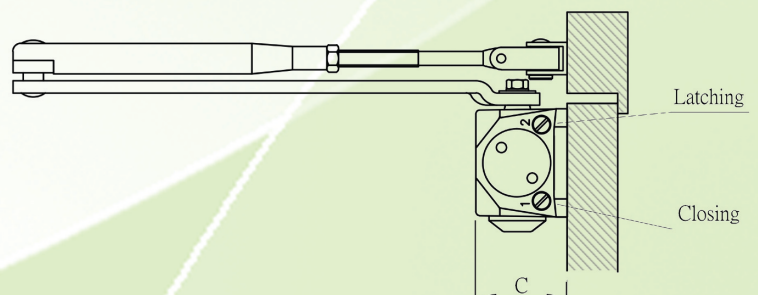
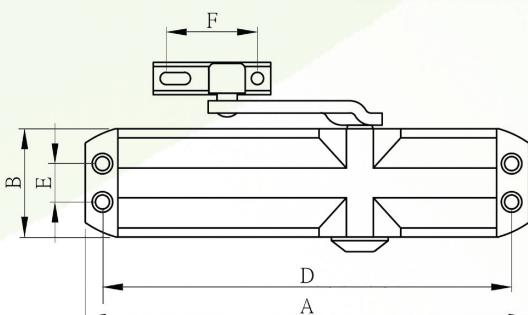
### ⊙ Finishes

- .Baked Painted: Silver, White, Black, Brown, Gold.
- .Other Colors upon request.

### ⊙ Dimension

unit:mm

NO.	A	B	C	D	E	F
ODC-680	219	53	45	202	19	45

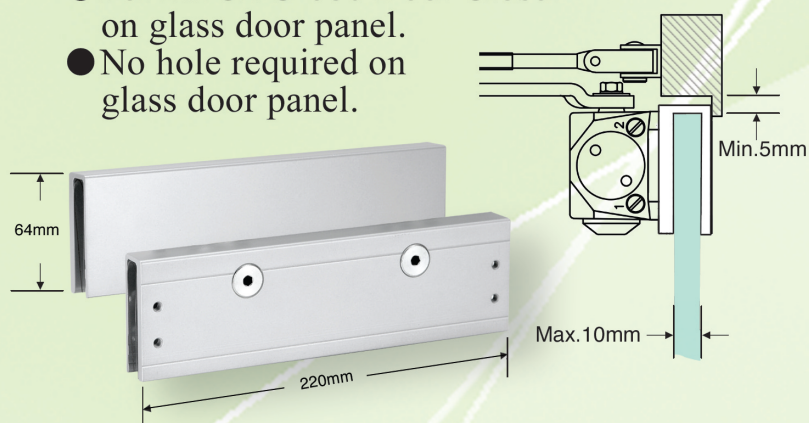


# ODC-680B Overhead Door Closer(Body only)



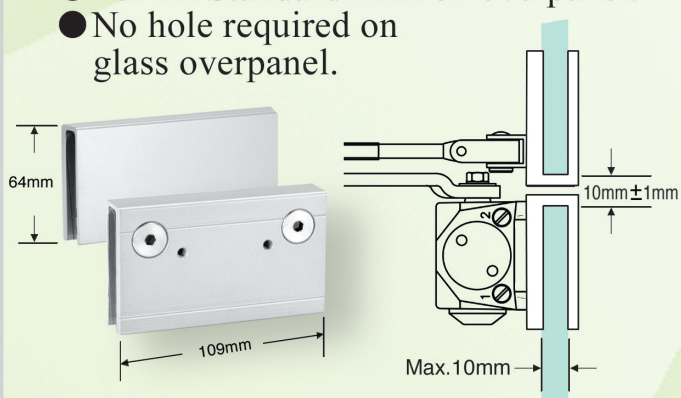
## FP-03 Saddle Plate

- For fix ODC-680 Door Closer on glass door panel.
- No hole required on glass door panel.



## FP-04 Saddle Plate

- For fix Standard Arm on overpanel.
- No hole required on glass overpanel.



## AM-6801 Standard Arm

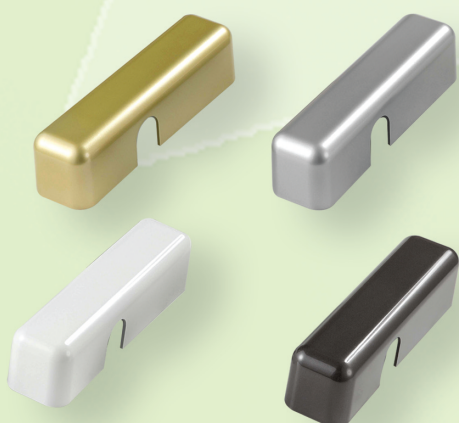


## AM-6802 Hold Open Arm

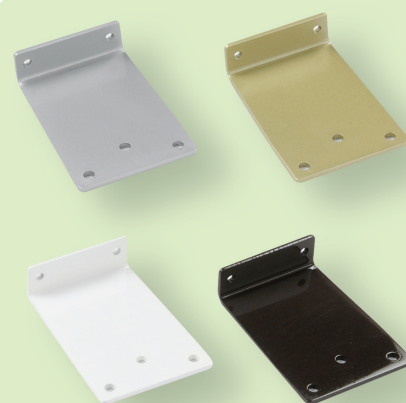
- Angle adjustable



## PC-68 Plastic Cover(optional)



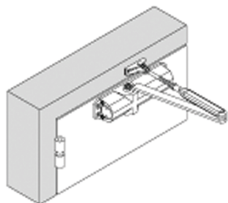
## PB-01 Parallel Bracket



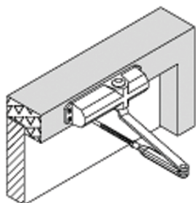


# ODC-680 Installation Type

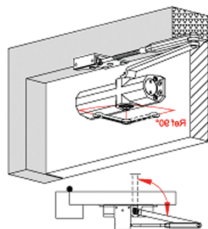
Regular Fixing



Transom Fixing



Parallel Bracket Fixing



Speed Adjustable



● Detail installation instructions packed with closer.

## Door Controllers



● **GTS-850**



● **ODC-680**



● **ODC-730**



● **GTS-650**



● **GTS-840**  
Spindle Fixed



● **GTS-840**  
Spindle Interchangeable



**PGF**  
Prestige Glass Fittings

Unit 8/3 Selgar Ave  
Clovelly Park, SA 5042

Phone: 0429 933 583

Email: sales@prestigeglassfittings.com.au

Web: www.prestigeglassfittings.com.au

Notes:

