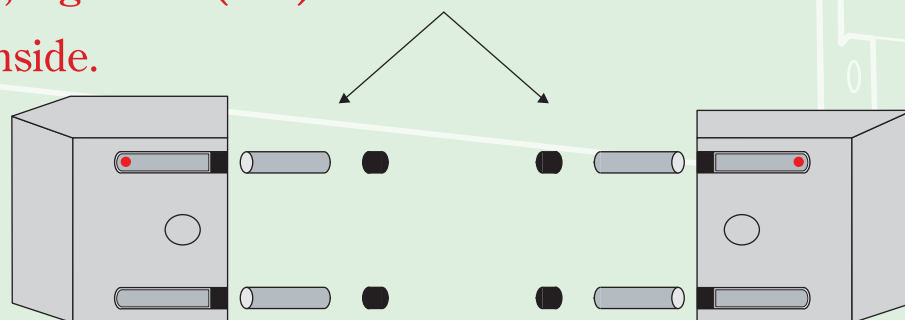


LEVER LOCKS & HINGES



Lever Lock

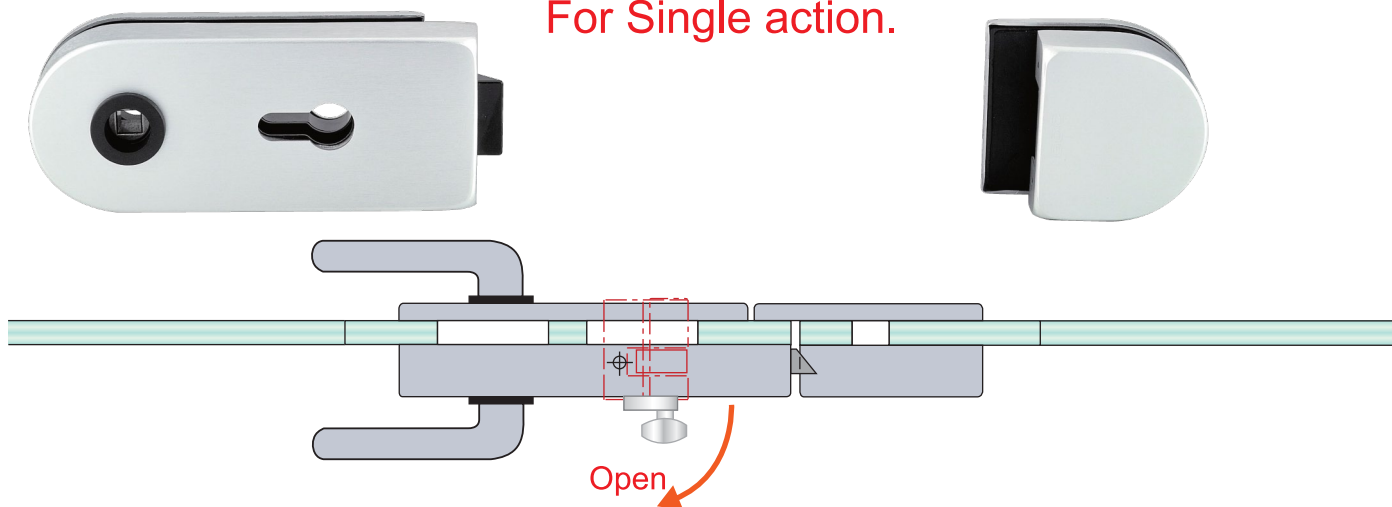
- Prepared for both 8 mm and 10mm glass thickness.
- Prepared for europrofile cylinder, night latch function.
- Prepared square hole for all lever handles with 8 mm square spindle.
- For left hand or right hand open, lock body & night latch can be reversed easily by loosening screws only.
- For security, nightlatch (bolt) with two hardened roller pins inside.



LEVER LOCK

STRIKE BOX

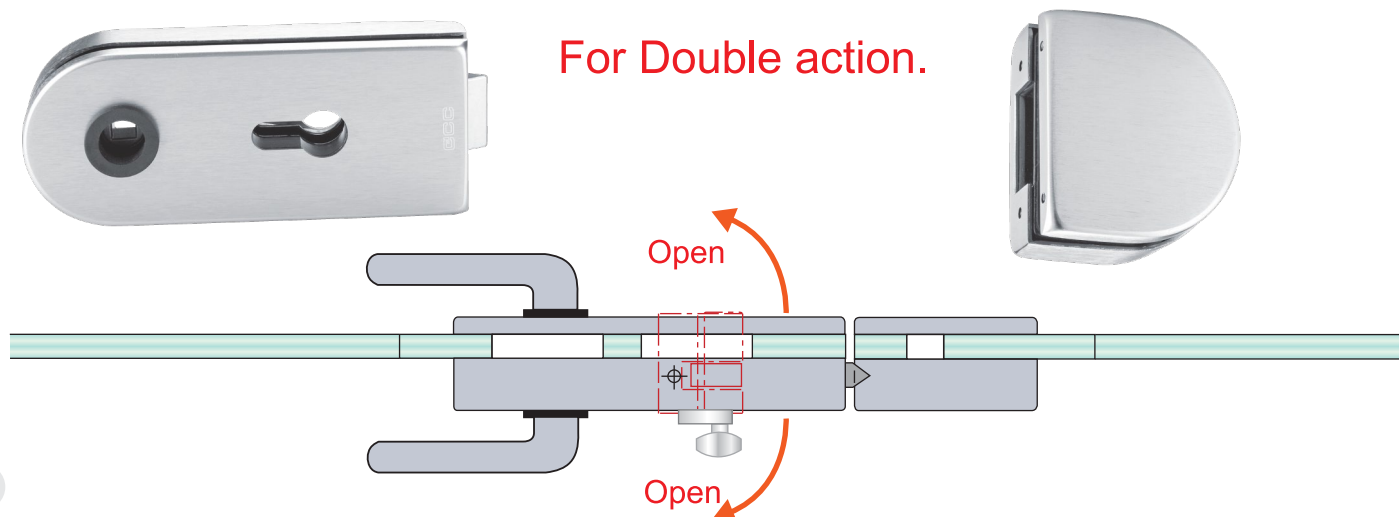
For Single action.



LEVER LOCK

STRIKE BOX

For Double action.



Applications:

- Office Door
- Living Room Door
- Toilet Door



GX 512.1S Glass to Wall Hinge

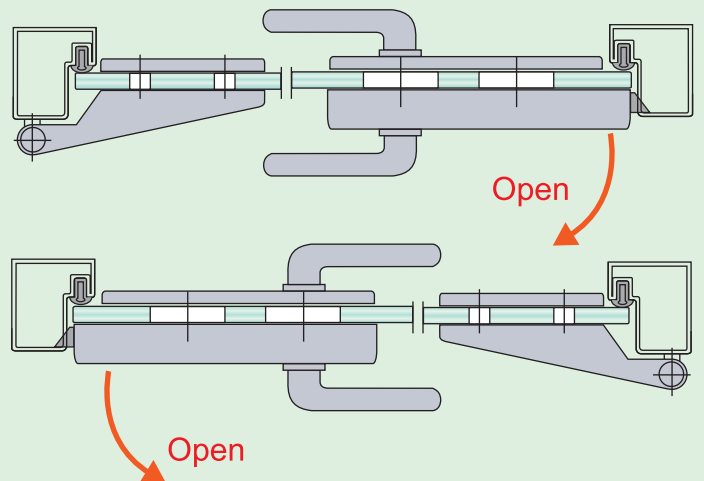
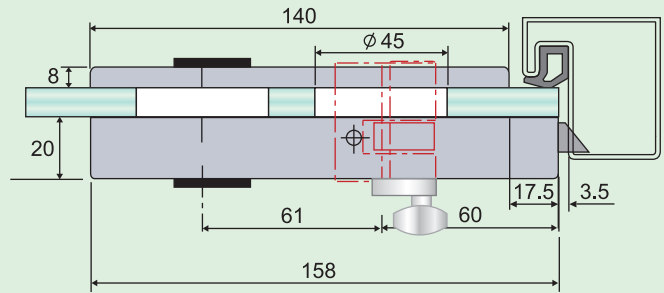
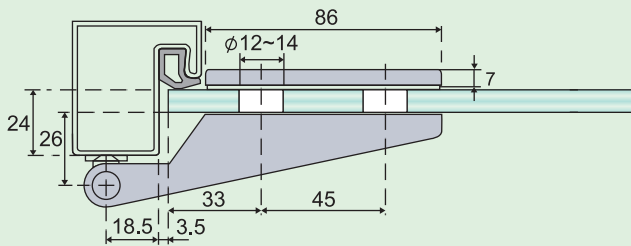
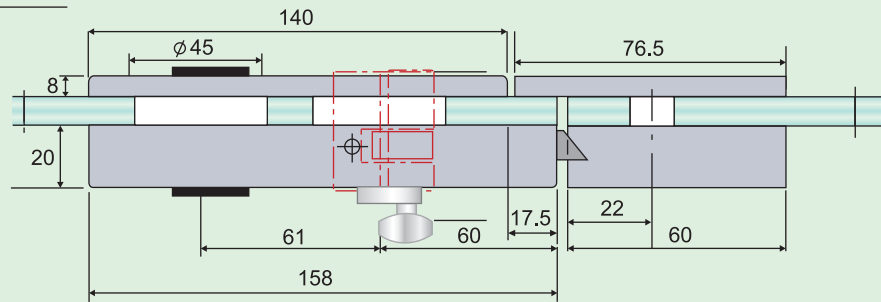
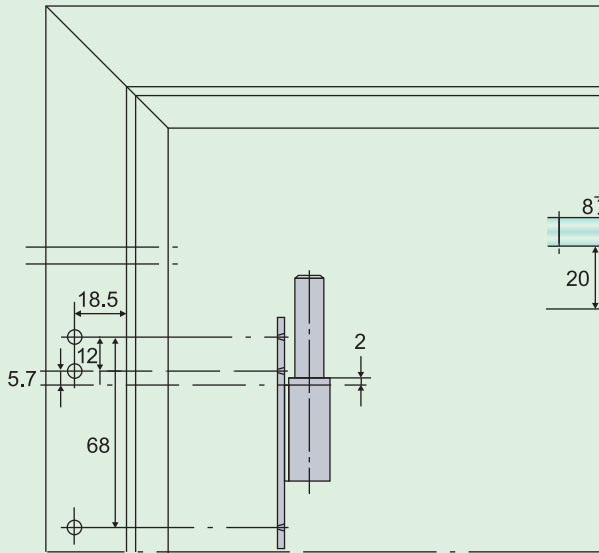
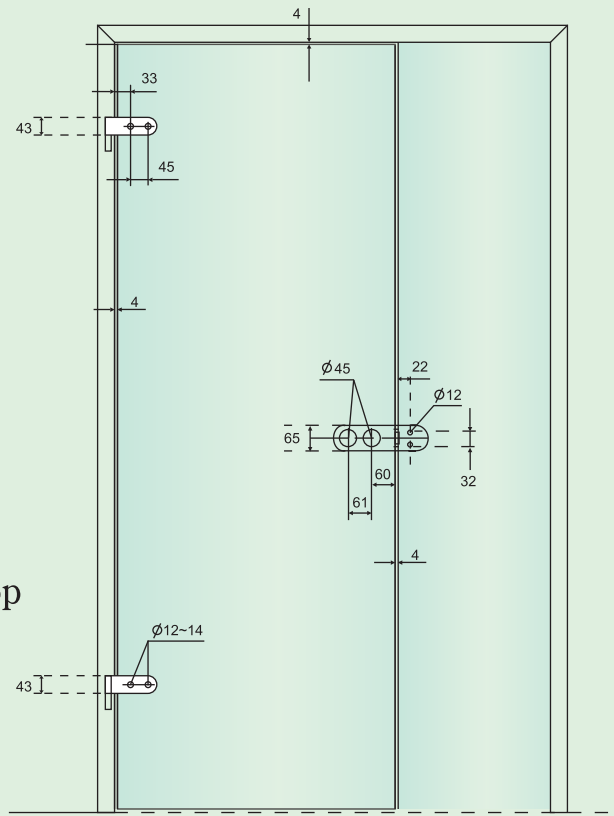
- Made of SUS 304 Solid Stainless Steel.
- Narrow type back plate (32x86mm) for wooden or metal frame.
- Single action design.
- Finish:SSS (Hairline Polished).



LH-30 Lever Hinge

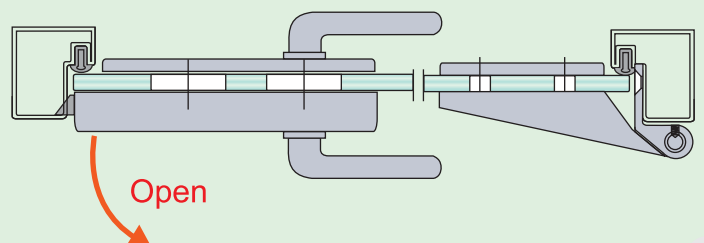
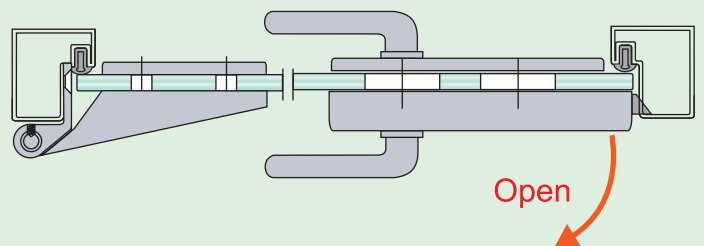
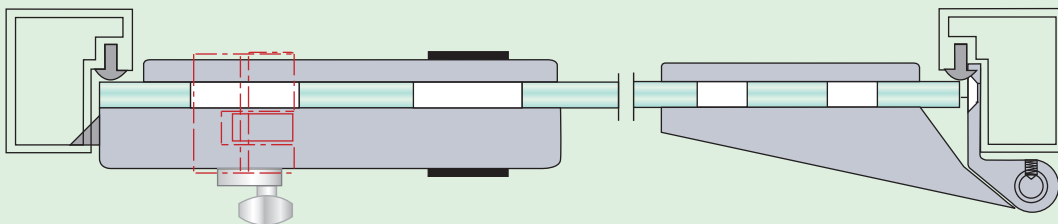
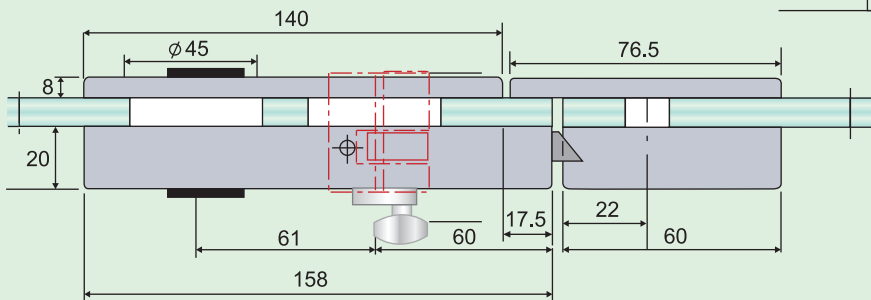
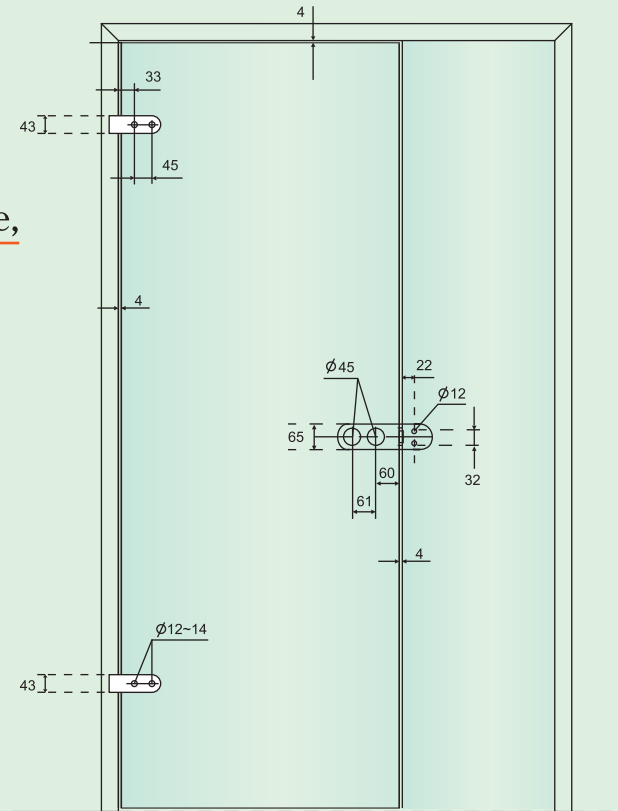
LH-30S Lever Hinge

- Prepared for both 8 mm and 10mm glass thickness.
- Complete with screw-on frame pivot, plastic bushing & push-on sleeve.
- Door width max. 1000 mm.
- Door weight max. 50kgs.
- If install with overhead door closer, the top gap 4mm must be changed up to 5mm.



LH-32 Lever Hinge

- Prepared for both 8 mm and 10mm glass thickness.
- Complete with frame pivot for wooden frame, steel frame or aluminium frame.
- Door width max. 1000mm
- Door weight max. 40KGS.
- If install with overhead door closer, the top gap 4mm must be changed up to 5mm.



LL-20S Lever Lock (LL-21S)
LL-20KS Strike Box

Lever Lock

- Complete with Stainless Steel Cover.
- Finish : PSS:Polished Stainless Steel.
SSS:Satin Stainless Steel.



LL-20
LL-20S

Strike Box



LL-20K
LL-20KS

LL-20 Lever Lock (LL-21)
LL-20K Strike Box

- Complete with Aluminium Cover.
- Finish : MS : Anodized-Mat silver.
MB : Anodized-Mat Brass.
SNK : Anodized Similar as
satin stainless steel.



LL-21
LL-21S

Non – locking lock

Other color available by order.

LL-22S Lever Lock(LL-23S)
LL-22KS Strike Box

Lever Lock

- Complete with Stainless Steel Cover.
- Finish : PSS:Polished Stainless Steel.
SSS:Satin Stainless Steel.



LL-22
LL-22S

Strike Box



LL-22K
LL-22KS

LL-22 Lever Lock (LL-23)
LL-22K Strike Box

- Complete with Aluminium Cover.
- Finish : MS : Anodized-Mat silver.
MB : Anodized-Mat Brass.
SNK : Anodized Similar as
satin stainless steel.



LL-23
LL-23S

Non – locking lock

Other color available by order.



LH-30 Lever Hinge

- Material: Solid Aluminium Alloy.
- Finish : MS : Anodized-Mat silver.
MB : Anodized-Mat Brass.
SNK : Anodized and Hairline
Polished Similar as satin stainless steel.
- Complete w/**LHP-407** Screw-on Frame Pivot.
Other color available by order.



LH-30S Lever Hinge

- Material : SUS 304 Solid Stainless Steel.
- Finish : PSS : Polished Stainless Steel.
SSS : Satin Stainless Steel.
- Complete w/**LHP-407S** Screw-on Frame Pivot.
Other color available by order.



(MS)



(MB)

LH-32 Lever Hinge

- Material : Solid Aluminium Alloy.
- Finish : MS : Anodized-Mat silver.
MB : Anodized-Mat Brass.
SNK : Anodized and Hairline
Polished Similar as satin stainless steel.
- Other color available by order.**

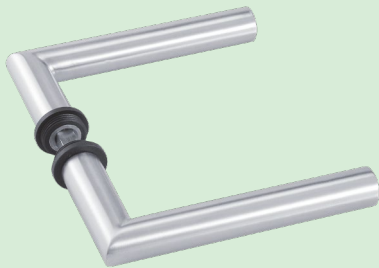


GX 512.1S Glass to Wall Hinge

- Made of SUS 304 Solid Stainless Steel.
- Narrow type back plate (32x86mm) for wooden or metal frame.
- Single action design.
- Finish:SSS (Hairline Polished).

For detail technical information, please refer to **GCC G-Tech Frameless Door System Catalogue.**

LLD-201 Lever Handle



LLD-202 Lever Handle



LLD-203 Lever Handle



LLD-204 Lever Handle



LLD-205 Lever Handle



- Material : SUS 304 Stainless Steel (LLD-201/202/203/204/205).
 - With 8mm square spindle for all lever locks.
 - Finish : PSS : Mirror Polished.
SSS : Satin Hairline Polished.
- Other color available by order.**

LLD-206 Lever Handle



LLD-207 Lever Handle



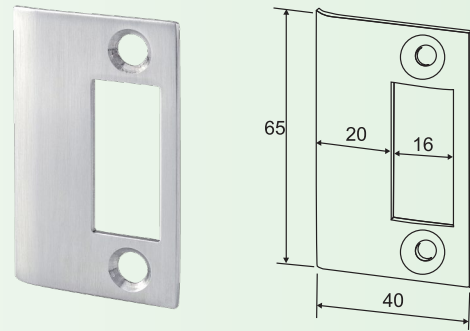
- Material : Drop-Forged Aluminium Alloy (LLD-206/207).
 - With 8mm square spindle for all lever locks.
 - Finish : MS : Anodized-Mat silver.
MB : Anodized-Mat Brass.
SNK : Anodized Similar as satin stainless steel.
- Other color available by order.**

9125ST Europrofile cylinder



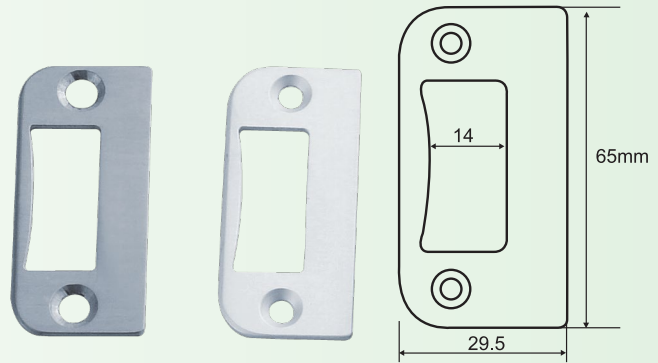
- Prepared size for lever lock.
- One side w/Key & one side w/Thumbturn.
- Material : Solid Brass.

LLP-401 Strike Plate

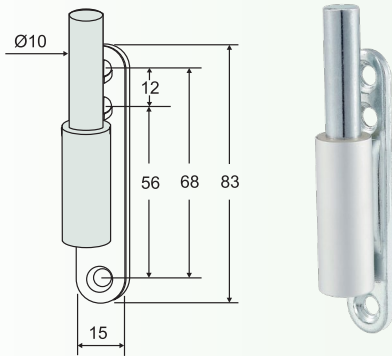


- Material : SUS 304 Stainless Steel.
- Finish : PSS : Mirror Polished.
SSS : Satin (Hairline) Polished.

LLP-402 Strike Plate



- Material : Aluminium Plate.
- Finish : MS : Anodized-Mat silver.
MB : Anodized-Mat Brass.
SNK : Anodized Similar as satin stainless steel.

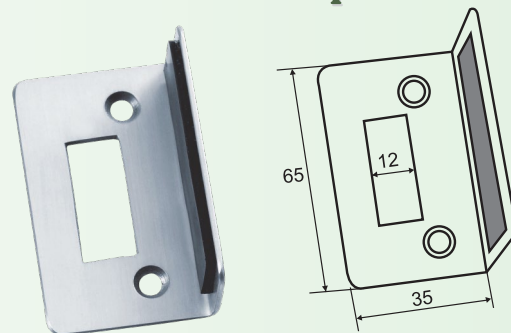


LHP-407

Screw-on Frame Pivot

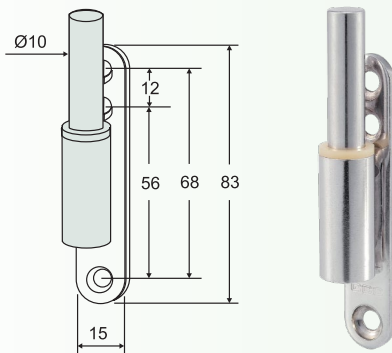
- Material: Zinc plated steel.
W/Aluminium Sleeve.
- For fix with LH-30

LLP-403 Keeper Plate



For Keeping and stopping Single action door panel.

- Material : SUS 304 Stainless Steel.
- Finish : PSS : Mirror Polished.
SSS : Satin (Hairline) Polished.



LHP-407S

Screw-on Frame Pivot

- Material: SUS 304 Stainless Steel.
- For fix with LH-30S

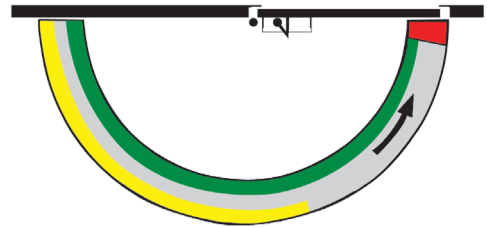
ODC-680 Overhead Door Closer



is ideally suit for most Common door for architectural and Commercial applications.

Date & Features

Closing Force, Spring Strength	EN2~4	
Standard Door Width:	850~1100mm.	
Standard Door Weight:	40~80kgs.	
Max. Opening Angle :	EN2~3 180° EN4 105°	
Closing Speed Adjustable :	180°~15°	
Adjustable Latching Action :	15°~0°	
Backcheck from approx :	70°~180°	



- Three different power adjustable (EN2~4) for interior or exterior doors.
- Suitable for LH (left hand) and RH (right hand) doors.
- Non-handed Installation.
- **Backcheck optional.**

Certificates & Approvals

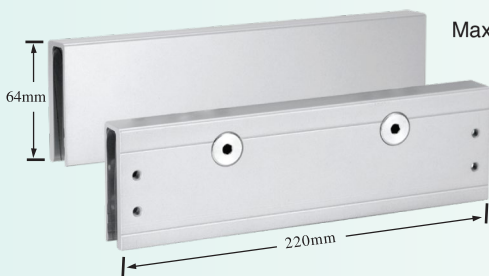
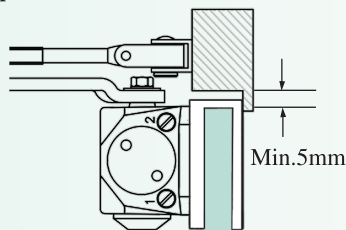
- BS EN 1154: 1996+A1 : 2002
- BS EN 1634: part 1 & 3 : 2000

CE Mark.

- Finishes
- Baked Painted: Silver, White, Black, Brown, Gold.
- Other Colors upon request.

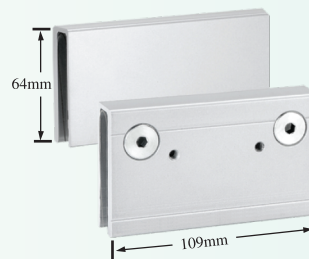
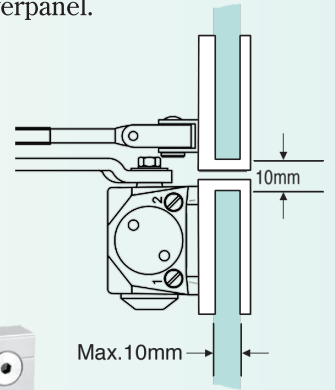
FP-03 Saddle Plate

- For fix ODC-680 Door Closer on glass door panel.
- **No hole required on glass door panel.**



FP-04 Saddle Plate

- For fix Standard Arm on overpanel.
- **No hole required on glass overpanel.**

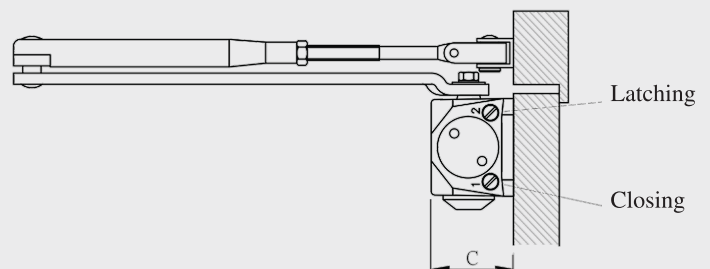
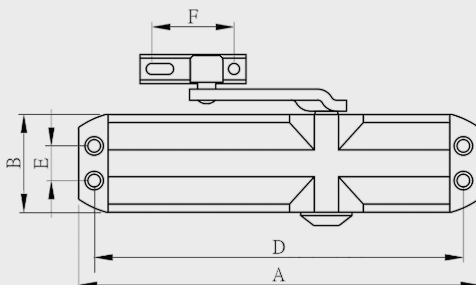


For other detail technical information, please refer to **GCC** ODC-680 Catalogue.

Dimension

unit:mm

NO.	A	B	C	D	E	F
ODC-680	219	53	45	202	19	45



ODC-730 Overhead Door Closer

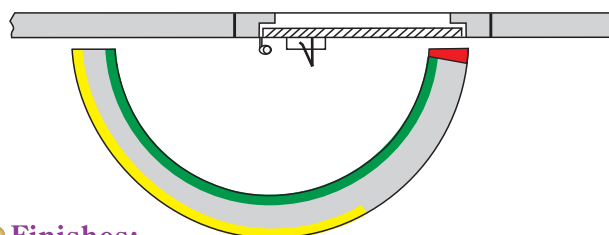
is a high end quality offers multi-function operation for architectural and Commercial applications.



- Four different power adjustable (EN2~5) for interior or exterior doors.
- Suitable for LH (left hand) and RH (right hand) doors.
- Non-handed Installation.
- Adjustable Backcheck (Optional).

Date & Features

Closing Force, Spring Strength	EN2~5
Standard Door Width:	850~1250mm.
Standard Door Weight:	40~100kgs.
Max. Opening Angle :	180°
Closing Speed Adjustable :	180°~15°
Adjustable Latching Action :	15°~0°
Backcheck from approx :	70°~180°



• Finishes:

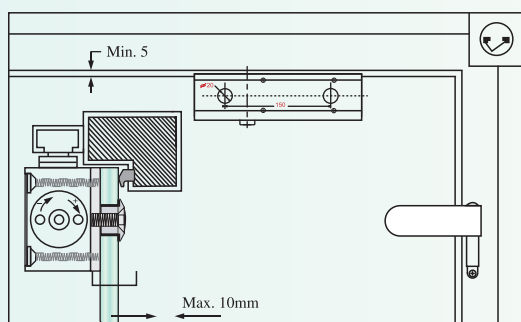
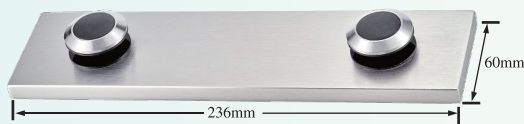
- Baked Painted: Silver, White, Black, Brown Gold.
- Other Colors upon request.

• Certificates & Approvals:

- BS EN1154:1996+A1:2002
- BS EN1634:Part 1 & 3:2000 (With Standard Arm Only)
- CE mark.

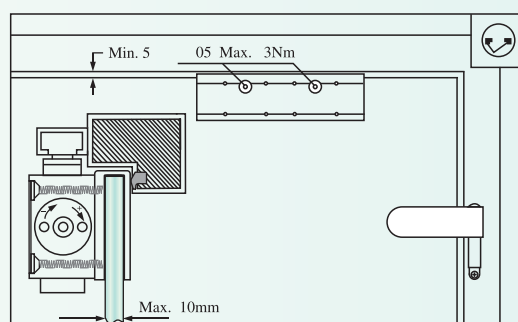
FP-01 Fixing Plate

- For fix ODC-730B Door Closer on glass door panel.
- Two Ø20mm holes required on glass door panel.



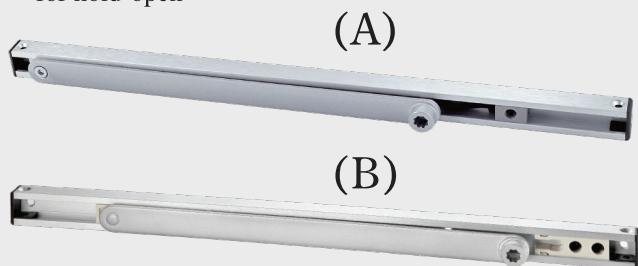
FP-02 Saddle Plate

- For fix ODC-730B Door Closer on glass door panel.
- No hole required on glass door panel.



SLC-01 Slide Arm and Channel

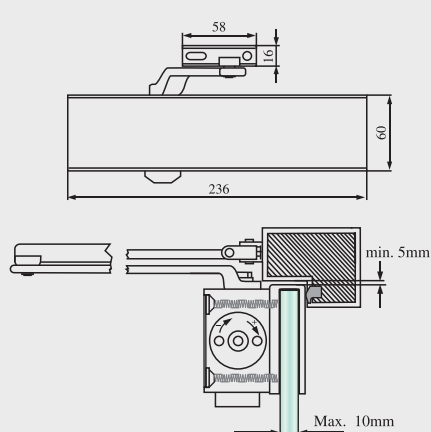
- for hold-open



AM-7301 Standard Arm



Standard Arm With Saddle Plate (FP-02).



For other detail technical information, please refer to **GCC** ODC-730 Catalogue.



In the field of architectural fittings for aluminum & tempered glass doors. both high quality and total design flexibility are essential criteria together with ease of installation, safety and function.

GCC full range of fittings are aesthetically designed and manufactured to provide practicality and security to tempered glass assemblies, such as Tempered Glass Door Fittings, PVC Seals W/Weather Strips, Glass Clamps, Shower Door Hinges, Handles & Knobs, PVC Seals & Wipes and Reinforcement Bars for Shower Screen. Door Rails, Pivoting Door systems, office partition systems, Lever Hinges & Locks, Heavy-Duty Sliding Wall systems, Floor Spring, Concealed Overhead Door Closer, Glass Connectors....etc. For details welcome to visit our website at www.gccintw.com.tw

GCC will be happy to help your special requirements, for any doubts, please contact your nearest **GCC** distributors for any technical assistance on parts and services, or contact us directly.

If you are looking for high quality products, **GCC** is your best choice.



Unit 8/3 Selgar Ave
Clovelly Park, SA 5042
Phone: 0429 933 583
Email: sales@prestigeglassfittings.com.au
Web: www.prestigeglassfittings.com.au

Notes: