

GCC[®]

Double Action

**Concealed Overhead
Door Closer**

GTS 850



Technical Data

Code No.	1	2	3	4
Closing force in Nm, approx.	15	20	25	33

Closing ranges

Two closing speed variable by valve adjustment provide full hydraulic control
 Valve1: 130°-20° closing speed.
 Valve2: 20°-0° latching range.

Functions: HO & NHO

Code No.:

60: 90° Hold open & 130° Back stop (standard)
 70: 105° Hold open & 130° Back stop (optional)
 62: Non-Hold open & 130° Back stop (optional)

1 First adjusting closing range 130°-20°

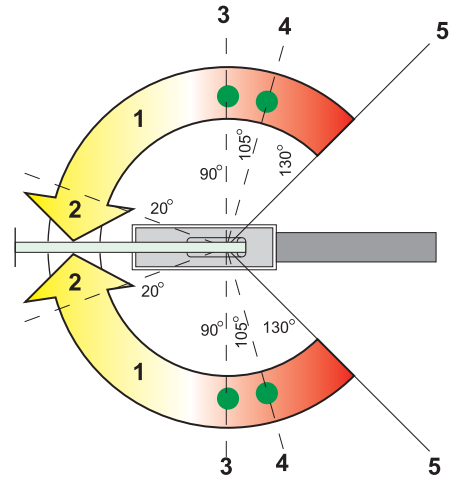
2 Second adjusting latching range from approx 20°-0°

3 Hold open at 90° (standard)

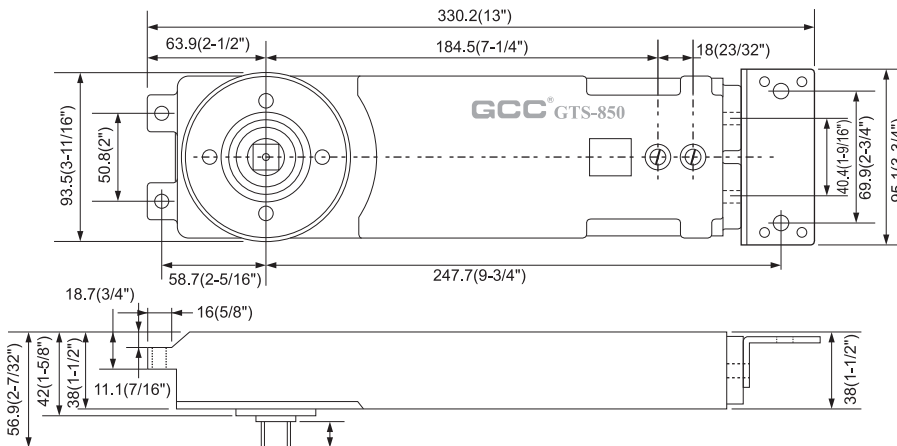
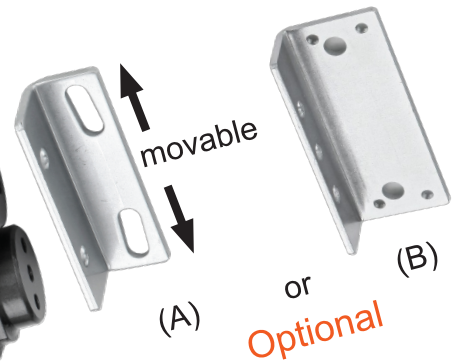
4 Hold open at 105° (optional)

5 Back stop at 130° (standard)

6 NHO: Non hold open (optional)



Interchangeable with most famous brands of concealed overhead door closer.



Spindle type: **S** = 12.2mm (1/2'') Standard Length
M = 14.8mm (19/32'') Medium Length
L = 22mm (7/8'') Long spindle



Two Adjustment Screw

One for Closing Speed and one for Latching Speed.

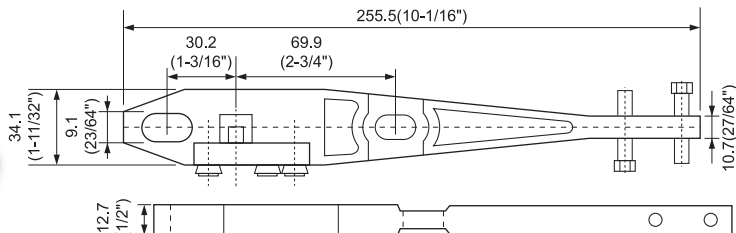
Special Retaining Rings

Prevent the Adjusting Screws from falling out of the Closer Body, which is the main cause of closer failure.



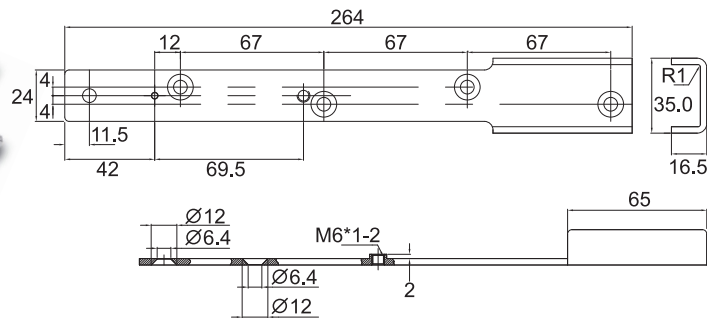
GTS 850S
Type "S" Side Load Arm Assembly

- For top rail with 1/2" deep recess



GTS 850SU
Type "U" Arm Channel

- For type "S" side load arm fix in the upper door rail or timber door on top minimum 17mm channel depth and 35mm width.



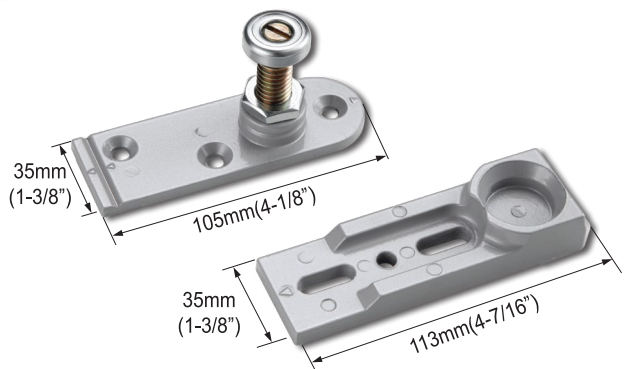
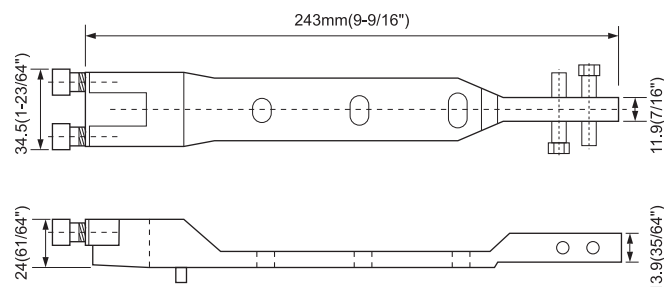
GTS 850SSU
"S" Side load arm with U channel

- Complete set of both "S" side load arm with "U" arm channel.



GTS 850A
Type "A" End Load Arm Assembly

- For top rail with 1" deep recess



GTS 850DPS

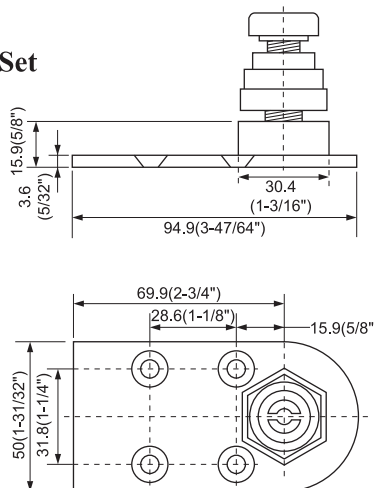
- Adjustable Dual-Purpose Bottom Pivot Set

GTS 850DPL

- Adjustable Dual-Purpose Bottom Pivot Set



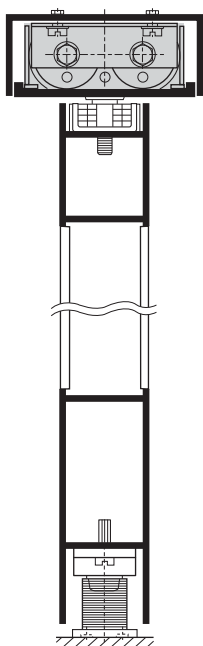
GTS 850DP
Adjustable Dual-Purpose Bottom Pivot Set



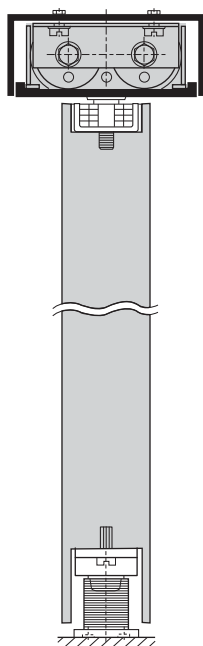
• Full range of Fittings for Frameless Tempered Glass Door, please refer to **GCC Tempered Glass Fittings Catalog**.



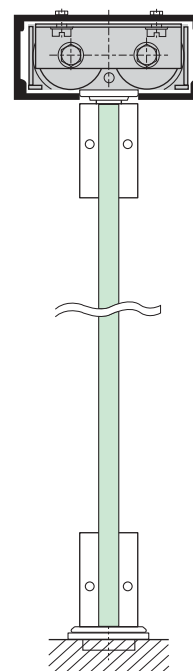
Typical Applications



Double action
aluminium door



Double action
timber door



Double action
tempered glass door

How To Order

GCC Concealed Overhead Door Closer

GTS850-270M



Spring strength/closing force:
1=15NM
2=20NM
3=25NM
4=33NM

Function: 60=90° Hold open & 130° back stop(standard)
70=105° Hold open & 130° back stop(optional)
62=Non-hold open & 130° back stop(optional)

Spindle type: S=12.2mm(1/2") Standard
M=14.8mm(19/32") Medium
L=22mm(7/8") Long

Note: Accessories must be ordered separately



Unit 8/3 Selgar Ave
Clovelly Park, SA 5042
Phone: 0429 933 583
Email: sales@prestigeglassfittings.com.au
Web: www.prestigeglassfittings.com.au

Notes: