

# G-TECH

## SLIDING DOOR SYSTEM

- Made by High Quality Stainless Steel Material.
- Special Design For Easy Installation & Adjustment.
- Modern & Elegant Look.



GCC<sup>®</sup>

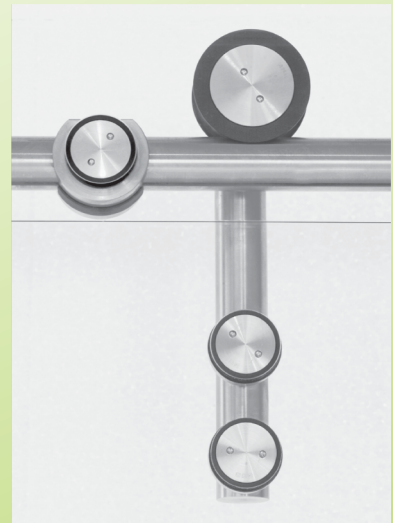
## G-Tech *Sliding Door System*

- A design alternative to standard top hung and bottom track sliding system, this system is suitable for 10mm (3/8") and 12mm (1/2") toughened glass, the recommended lock being the GL34S or GL34R.
- The glass fixings are available in either Flat (F) or Countersunk (C) flush fittings.



(F)

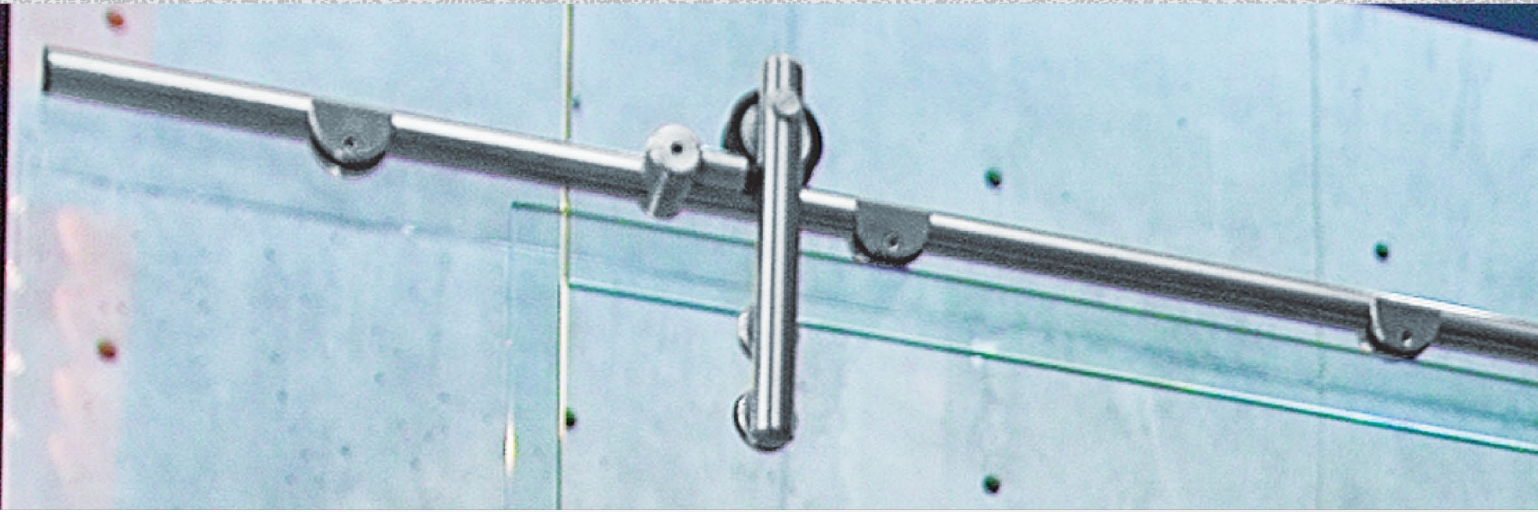
(C)







(F)



■ GSD – 423F

■ GSD – 423C

# Roller Hanger



Offset Roller shaft For adjusting door panel up & down

F type



C type



FA



FW



CA

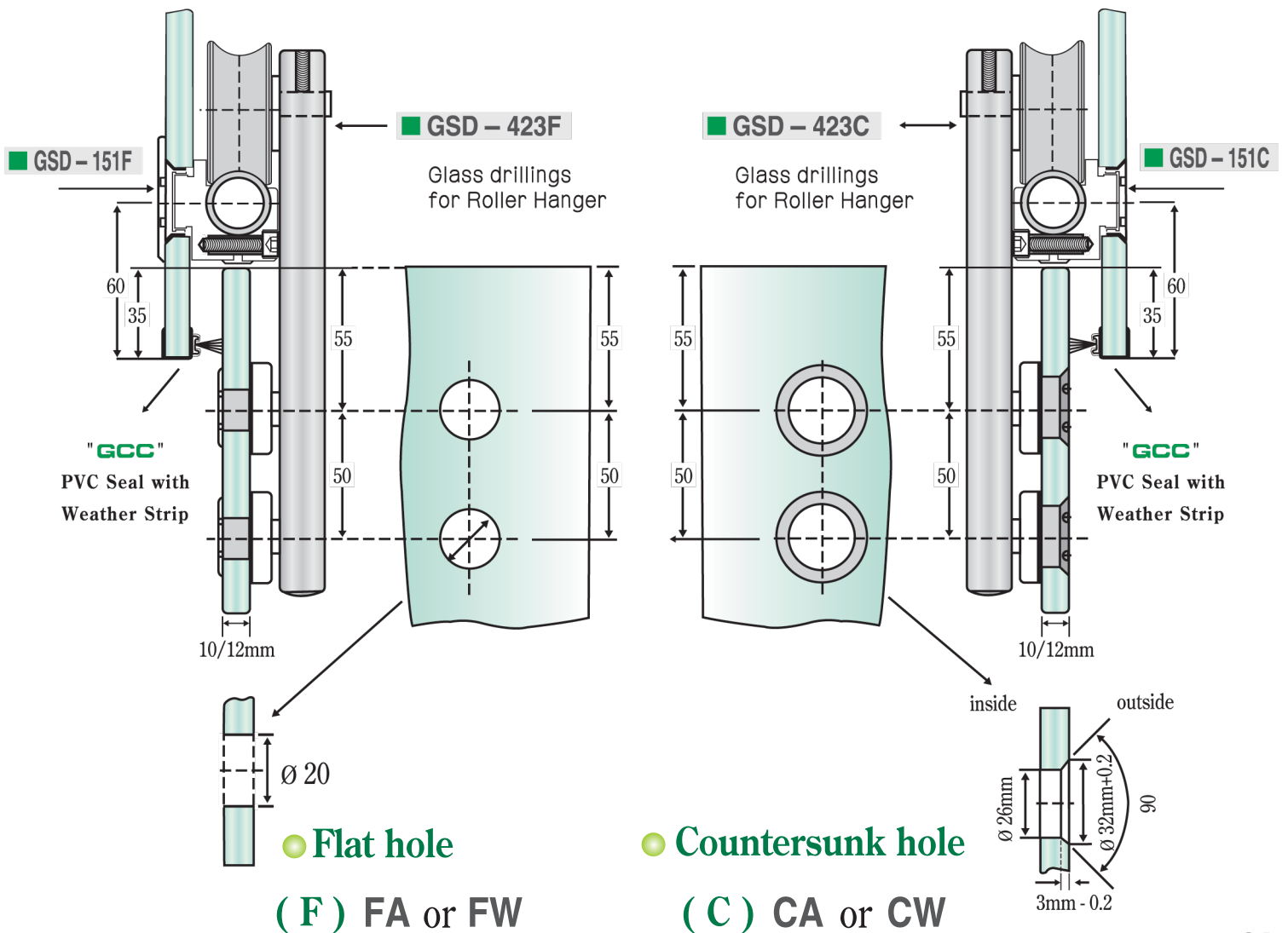


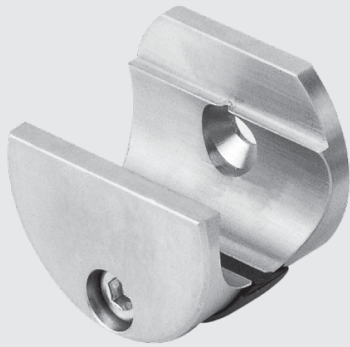
CW

(C)



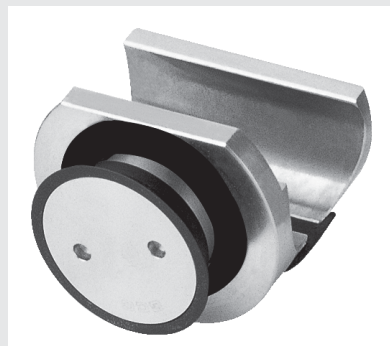
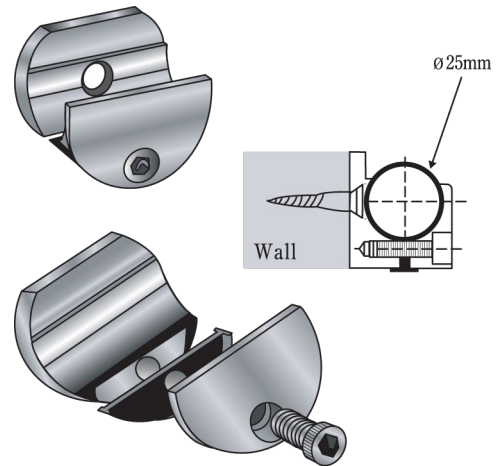
**GCC**<sup>®</sup>





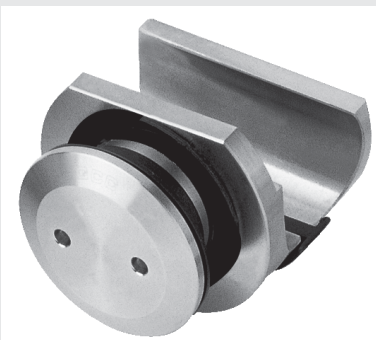
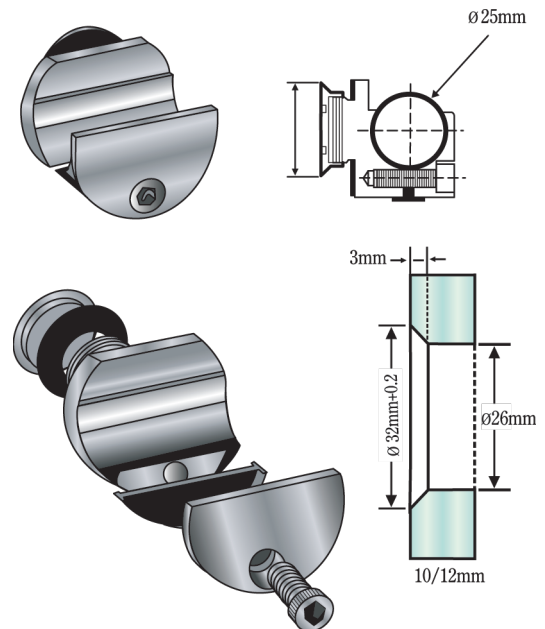
**GSD-153**

## ■ GSD – 153 Rail Holder to Wall



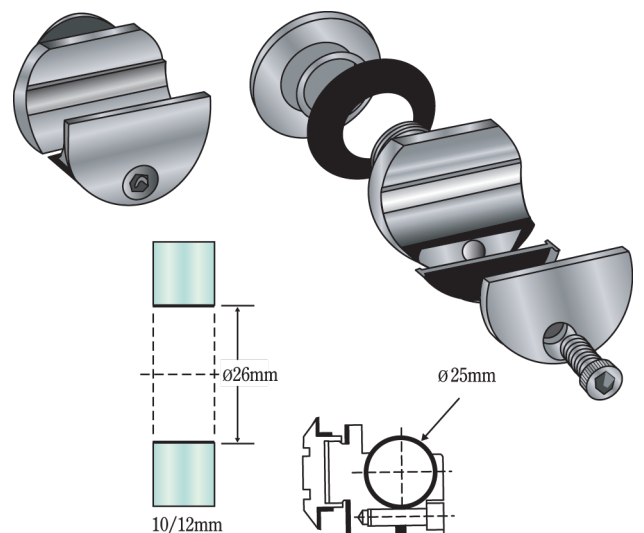
**GSD-151C**

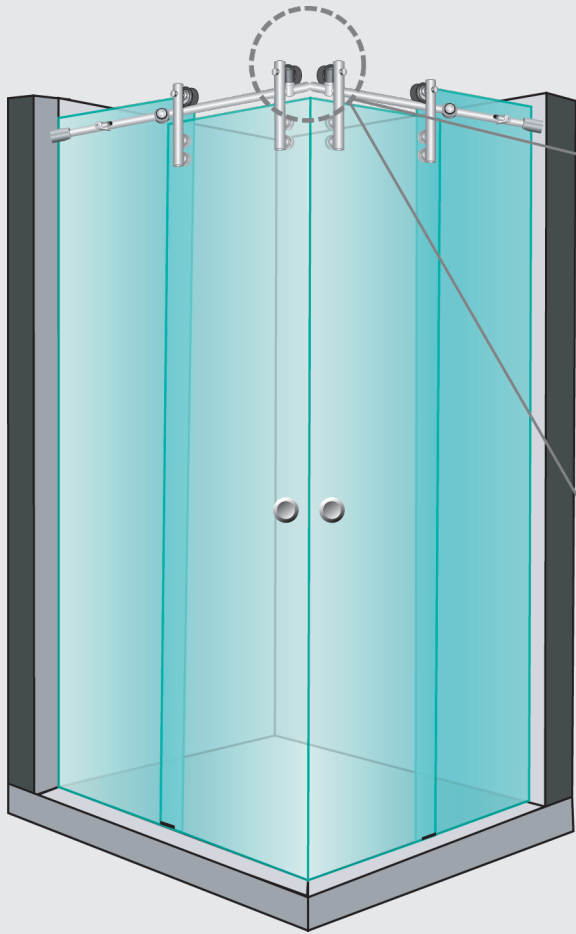
## ■ GSD – 151C Rail Holder to Glass



**GSD-151F**

## ■ GSD – 151F Rail Holder to Glass



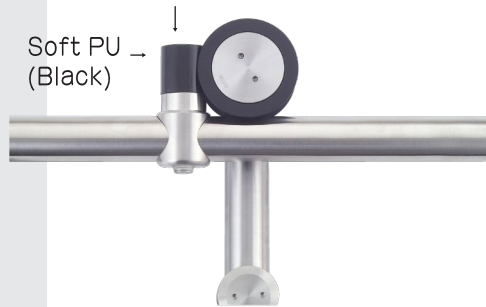


■ **GSD - 435**  
90°~180° Corner  
Universal Joint  
(Free Angle)



**Top View**

■ **GSD - 420B** **Stopper**

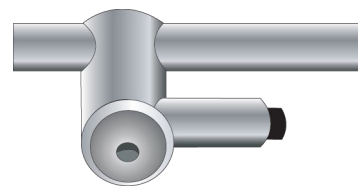


Soft PU -  
(Black)



**GSD-420**

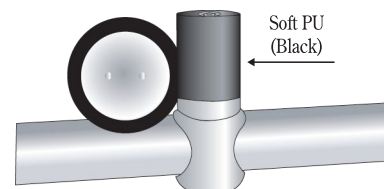
■ **GSD - 420** **Stopper  
(With Spring)**



■ **GSD - 420B** **Stopper**



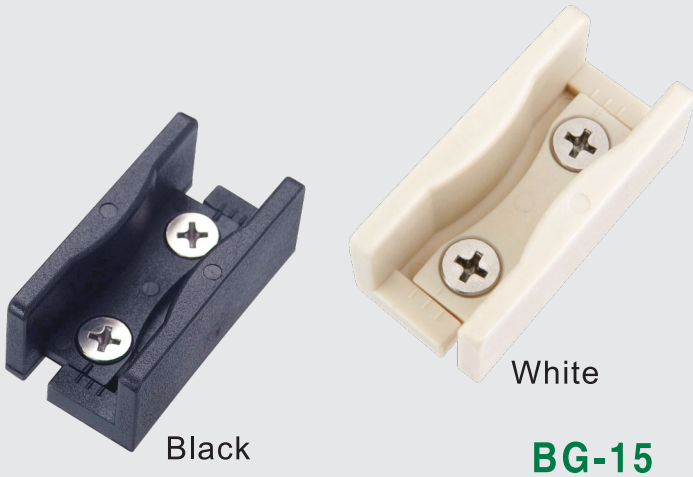
**GSD-420B**



Soft PU  
(Black)

# G-TECH

SLIDING DOOR SYSTEM-ACCESSORIES

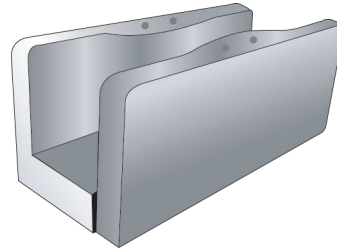


Black

White

**BG-15**

## ■ BG- 15 Bottom Guide



- For hold the glass panel at bottom.
- Adjustable for 8/10/12mm thick glass.
- Made by industrial grade plastic.
- Two colors optional black / White.



**BG-15S**

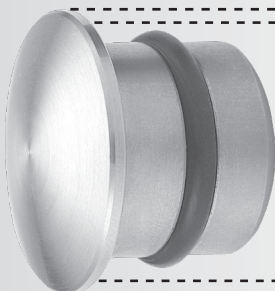
## ■ BG- 15S Bottom Guide



- For hold the glass panel at bottom.
- Adjustable for 10/12mm thick glass.
- Made by stainless steel.

## ■ GSD- RECS End Cap

- For GSD-025 Sliding Rail.
- Made by Stainless Steel.

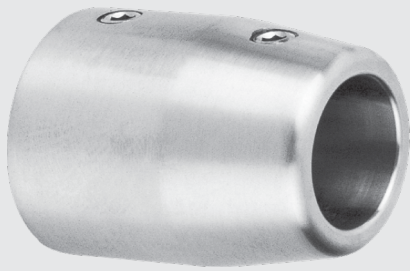


## ■ GSD- REC End Cap

- For GSD-025 Sliding Rail.
- Made by Plastic.

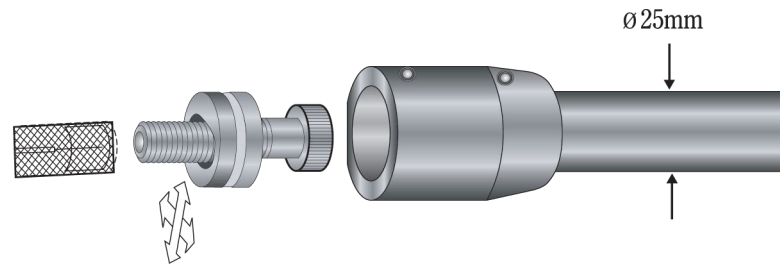
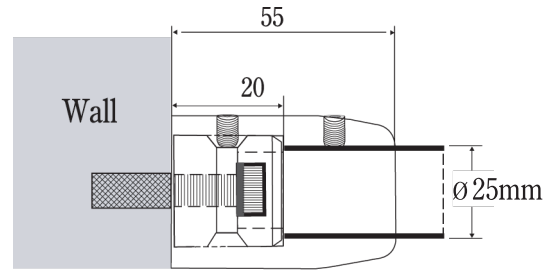






**GSD-440**

**GSD – 440 Rail End Holder**



**GSD-435**

**GSD – 435 Corner Universal Joint**



- For connecting sliding rail (tube).
- 90° ~ 180° Corner Universal Joint (Free Angle)



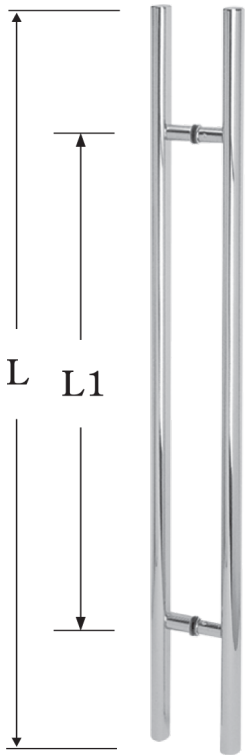
**GSD-025**

**GSD – 025**

**Ø25mm Heavy wall Stainless Steel Rail**



**H-16**



44  D:D Type Tubing  
30


SIZE (mm)

L(length)	L1(C/C)
800	425
1000	600
1200	800
1500	1020
1900	1200

● Customer length acceptable.

**H-22**



 Dia.32mm  
Round Tubing

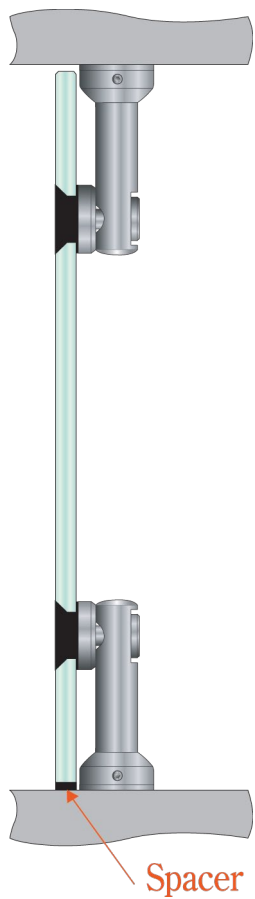
SIZE (mm)

L(length)	L1(C/C)
800	425
1000	600
1200	800
1500	1020
1900	800x800

● Customer length acceptable.

# Single Point Fitting

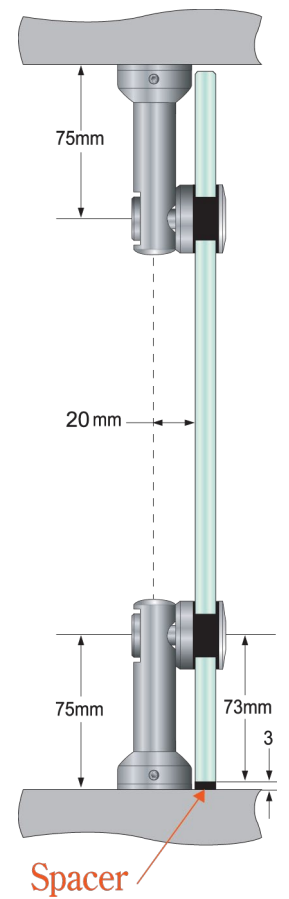
- For Holding Fixed Panel to Ground, Wall or Ceiling.
- 2mm up & Down, left & Right Adjustable.



**G-245C**



**G-245F**

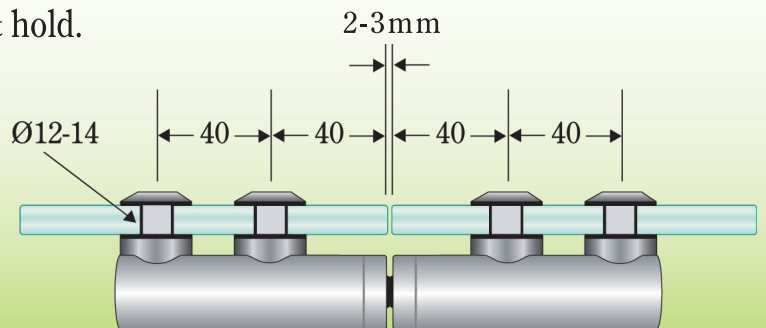


**GSD-20MH**

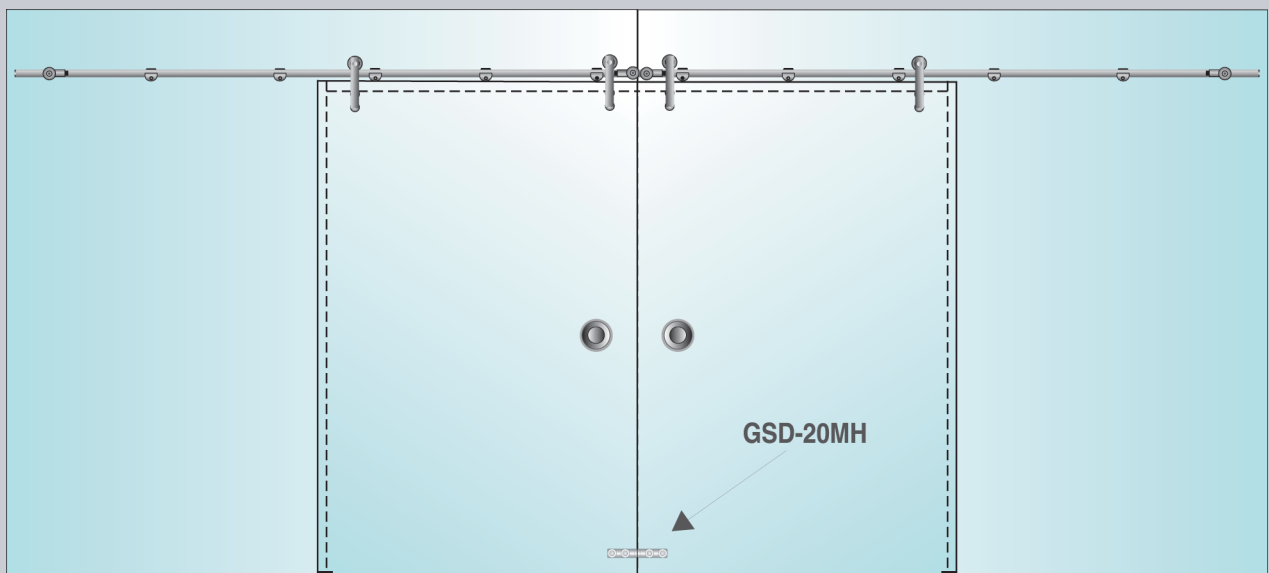
# Magnet Stopper & Holder

Patented

- For Protect edge of double door.
- Strong magnet inside with plastic for stop & hold.

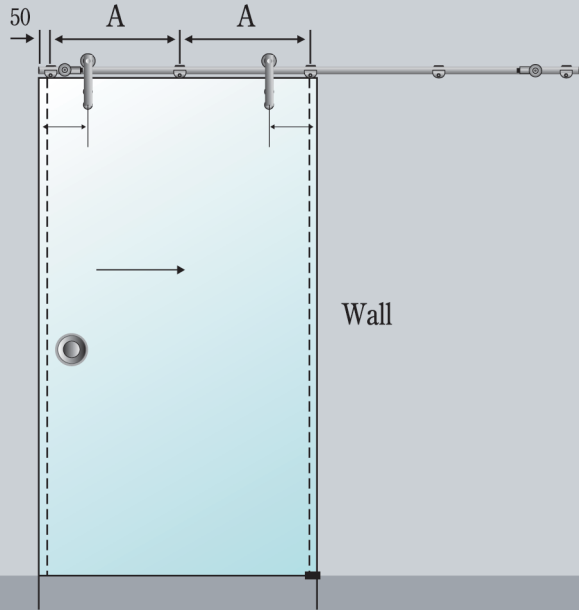


Glass Notch



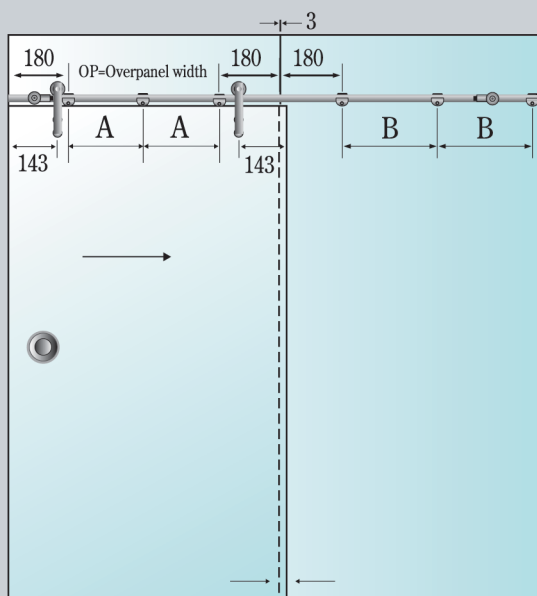


# Measurements for installation and glass preparation



$$A = (DP - 50) \div 2$$

DP = Door panel width



$$A = [OP - (180 + 180)] \div 2$$

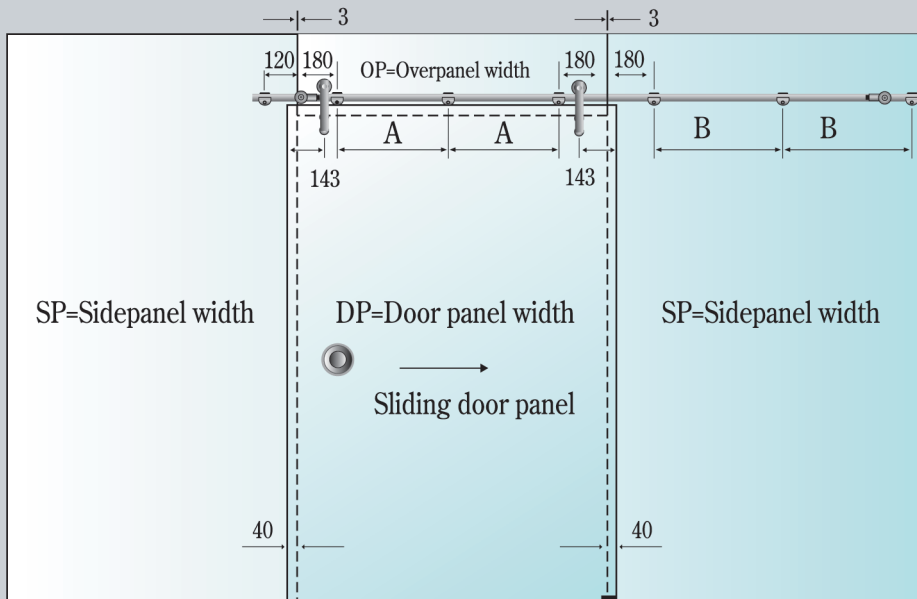
$$B = [SP - (180 + 180)] \div 2$$

OP = Overpanel width

SP = Sidepanel width

DP = Door panel width

# Measurements for installation and glass preparation



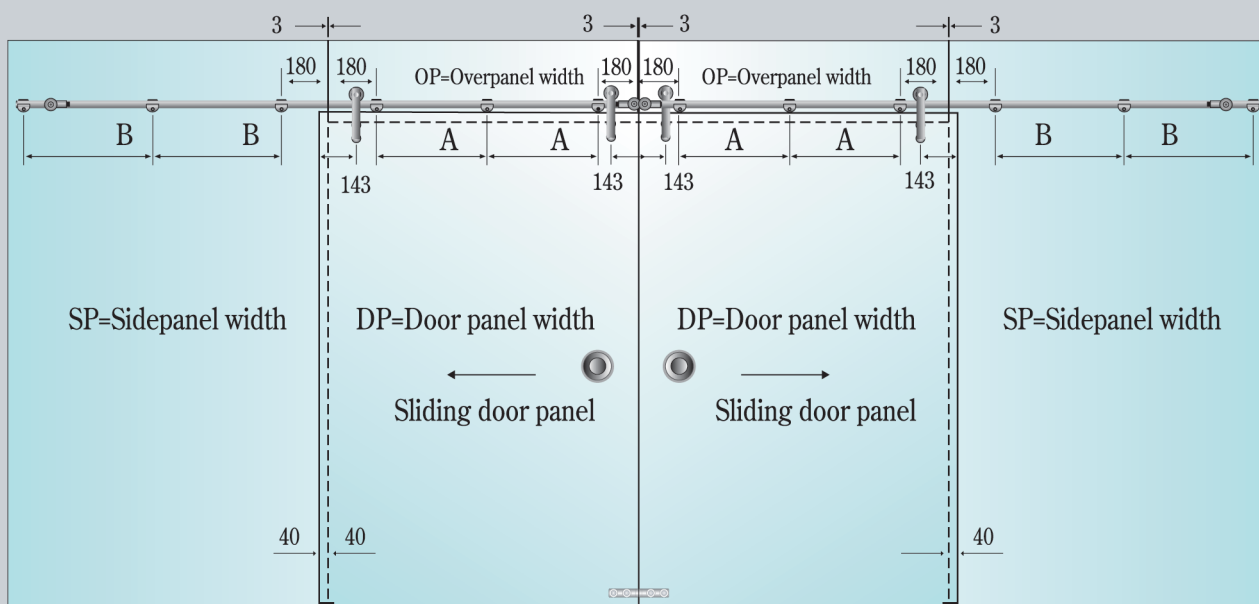
$$A = [OP - (180 + 180)] \div 2$$

$$B = [SP - (180 + 180)] \div 2$$

OP=Overpanel width

SP=Sidepanel width

DP=Door panel width



$$A = [OP - (180 + 180)] \div 2$$

$$B = [SP - (180 + 180)] \div 2$$

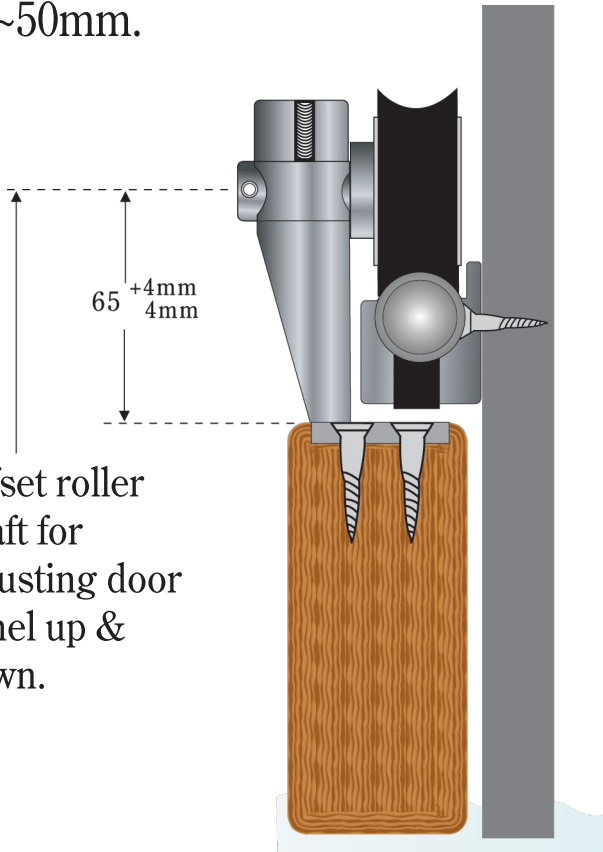
OP=Overpanel width

SP=Sidepanel width

DP=Door panel width

## ■ GSD-523 Roller Hanger

- New design for wooden sliding door.
- Complete system as G-Tech glass sliding door, but with special design of roller hanger for wooden door.
- Available for door panel thickness 40~50mm.

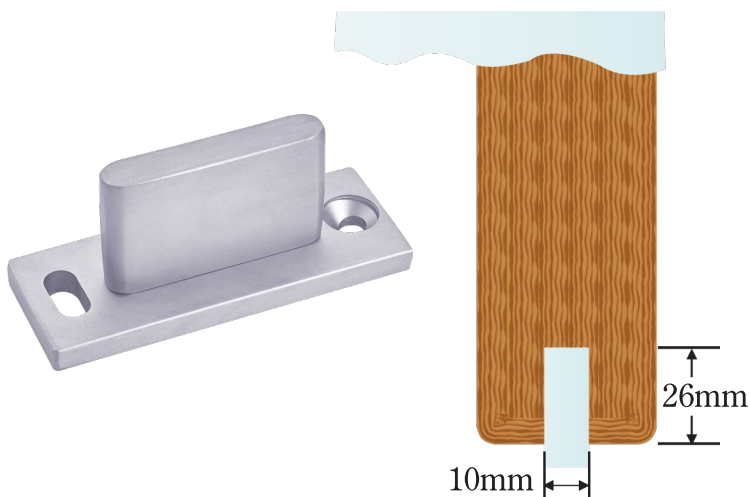


- Offset roller shaft for adjusting door panel up & down.



## ■ BG-16A Bottom Guide

- For Guide the wooden door panel.
- Made by aluminium alloy. (BG-16A)



In the field of architectural fittings for aluminum & tempered glass doors. both high quality and total design flexibility are essential criteria together with ease of installation, safety and function.

**GCC** full range of fittings are aesthetically designed and manufactured to provide practicality and security to tempered glass assemblies, such as Tempered Glass Door Fittings, PVC Seals W/Weather Strips, Glass Clamps, Shower Door Hinges, Handles & Knobs, PVC Seals & Wipes and Reinforcement Bars for Shower Screen. Door Rails, Pivoting Door systems, office partition systems, Lever Hinges & Locks, Heavy-Duty Sliding Wall systems, Heavy Duty Sliding & Folding Door System, Floor Spring, Concealed Overhead Door Closer, Glass Connectors....etc. For details welcome to visit our website at [www.gccintw.com.tw](http://www.gccintw.com.tw)

**GCC** will be happy to help your special requirements, for any doubts, please contact your nearest **GCC** distributors for any technical assistance on parts and services, or contact us directly.

If you are looking for high quality products, **GCC** is your best choice.



**PGF**  
Prestige Glass Fittings

Unit 8/3 Selgar Ave  
Clovelly Park, SA 5042  
**Phone:** 0429 933 583  
**Email:** [sales@prestigeglassfittings.com.au](mailto:sales@prestigeglassfittings.com.au)  
**Web:** [www.prestigeglassfittings.com.au](http://www.prestigeglassfittings.com.au)

**Notes:**