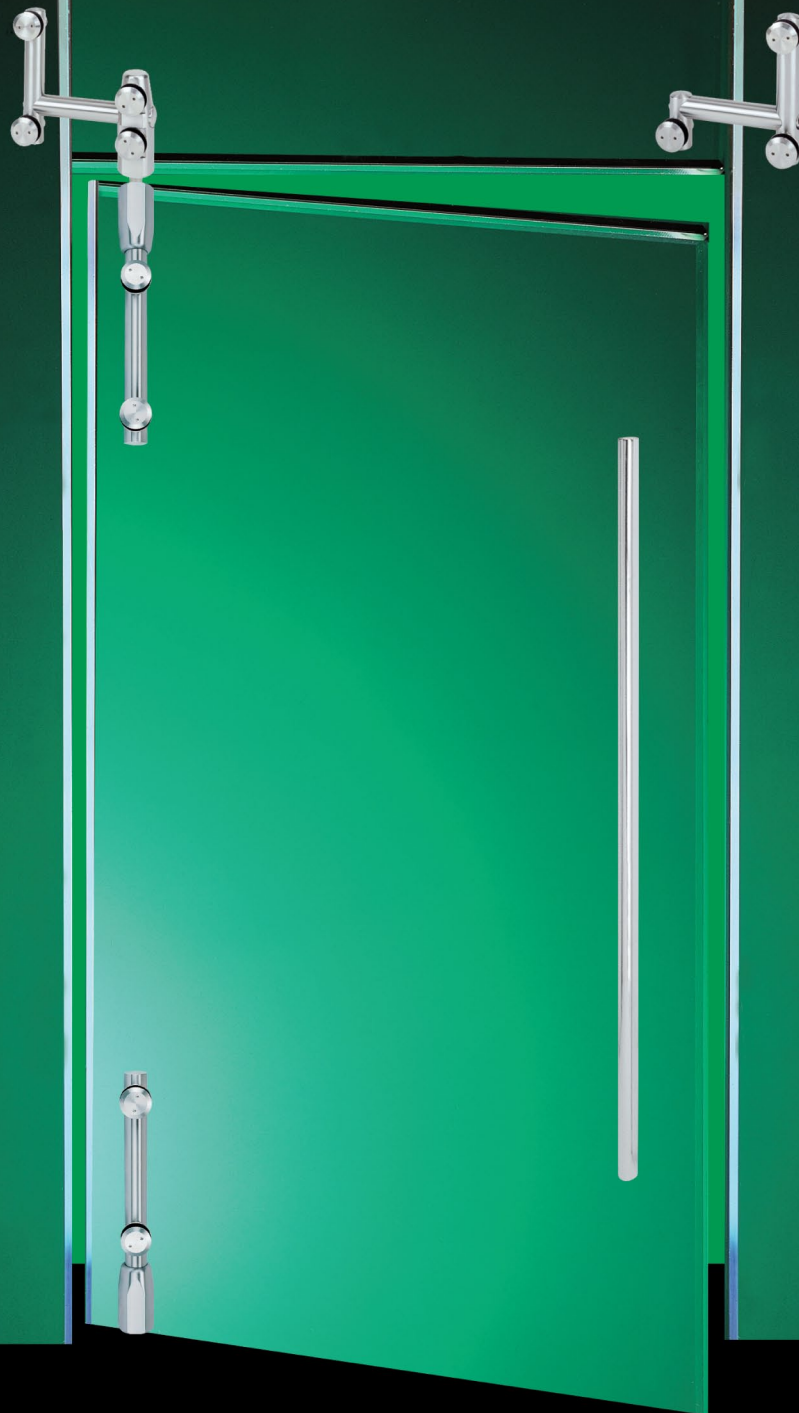


G-Tech

PIVOTING DOOR SYSTEM



GCC[®]

Top Pivot



PVT 20C

PVT 20F

Bottom Pivot

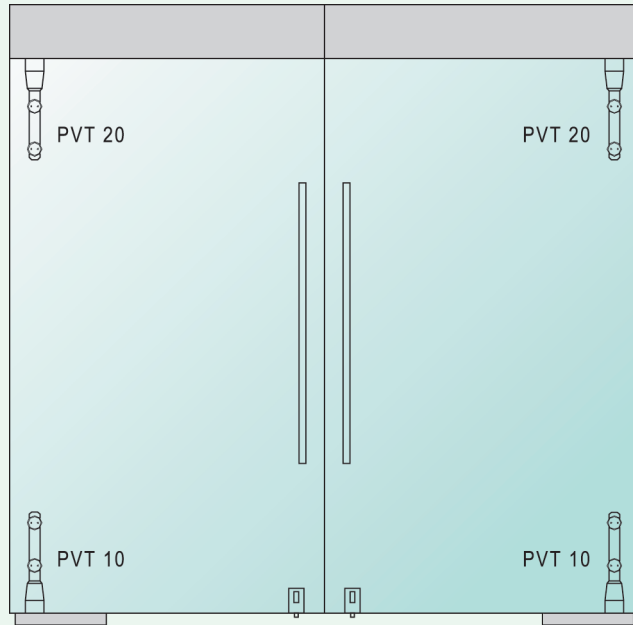


PVT 10C

PVT 10F

DT: Fits GTS-840 Floor Spring, 9115 Floor Pivot Bearing or Germany Floor Spring.

MT: Fits Italy Floor Spring.

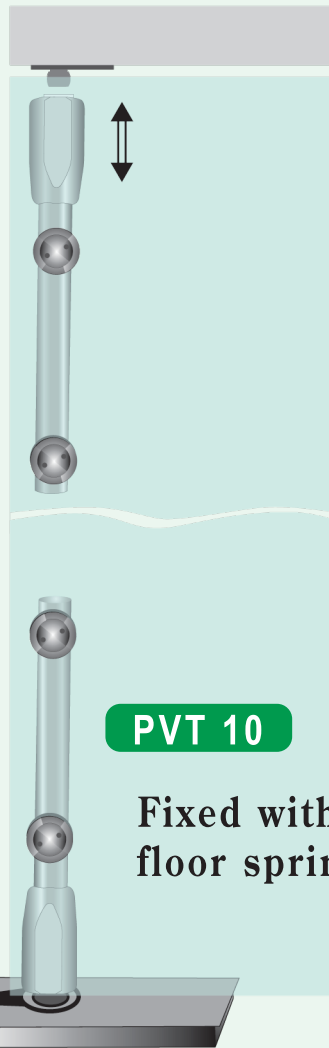


PVT 20

Fixed with 9124 pivot

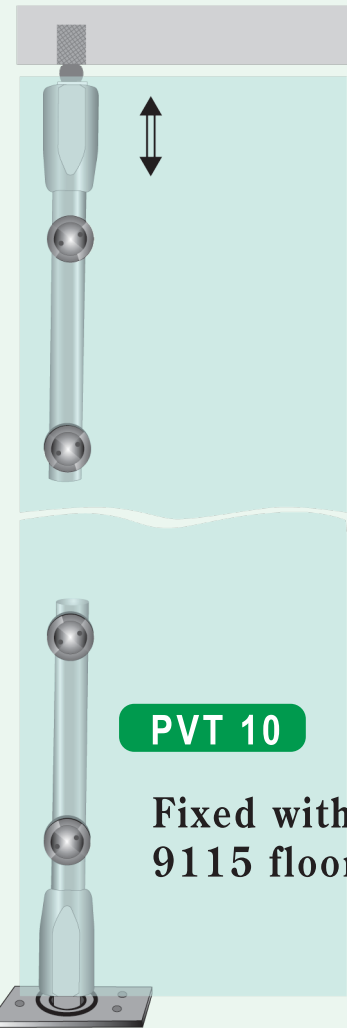
PVT 20

Fixed with 9129 pivot



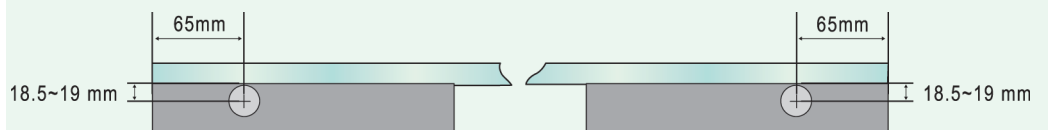
PVT 10

Fixed with floor spring



PVT 10

Fixed with 9115 floor pivot



GTS 850

Concealed Overhead Door Closer

- For details please refer to **GCC GTS 850 Catalog.**



Top Pivot



PVT 22C

PVT 22F

Bottom Pivot

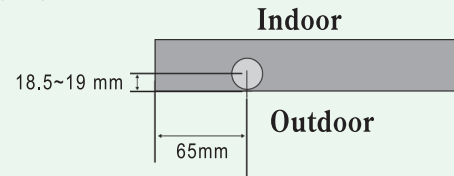
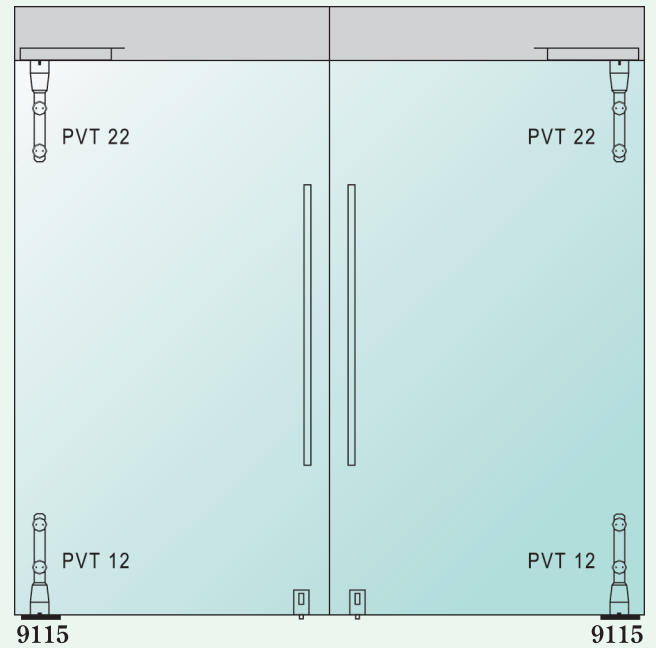
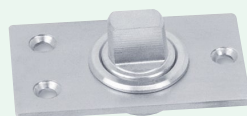


PVT 12C

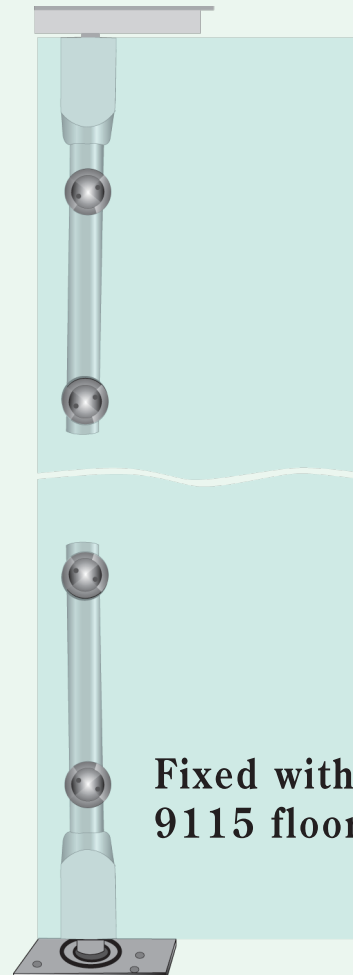
PVT 12F

9115

SUS 304 Floor Pivot Bearing



Fixed with "GCC" GTS-850 Concealed Overhead Door Closer GTS 850



Fixed with 9115 floor pivot Bearing

- Connecting rod must be ordered separate.
- **CR**= Full height of glass door panel less 570mm (285+285mm)
- Glass hole notch same as PVT10, PVT20.

- Full height rod G-Tech pivot door



PVTH 20F

PVTH 20C

Top Pivot

PVTR 25

CR

Bottom Pivot

PVTH 10F

PVTH 10C



PVTS 50C Door Stopper

- For single action to make the door swing in or out.

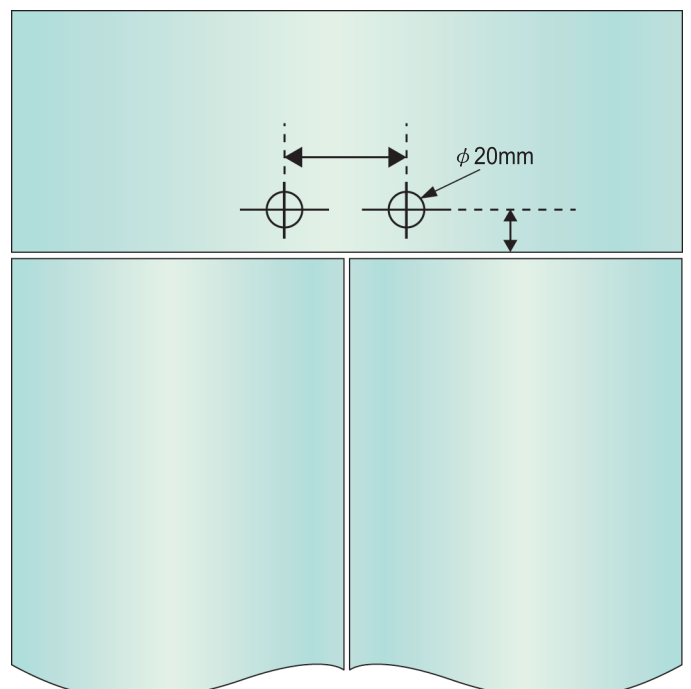


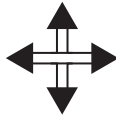
PVTS 50F Door Stopper

- For single action to make the door swing in or out.



PVTS 50





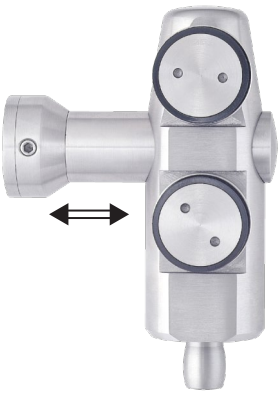
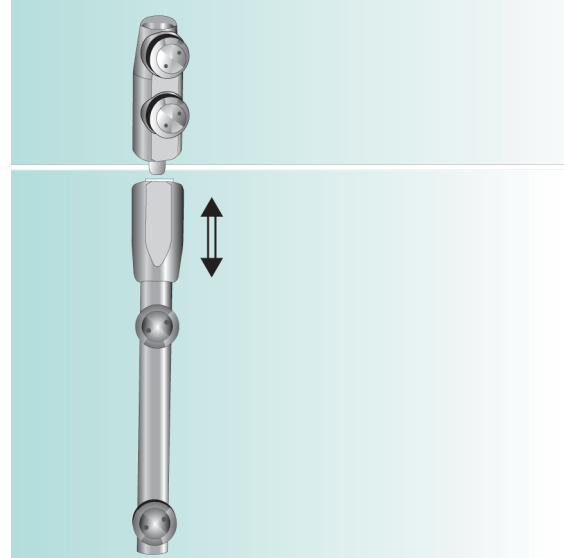
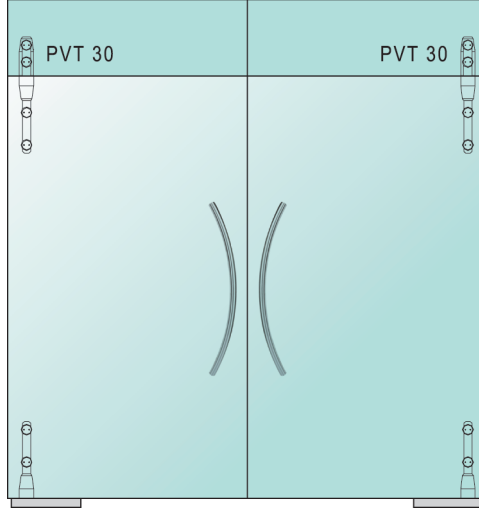
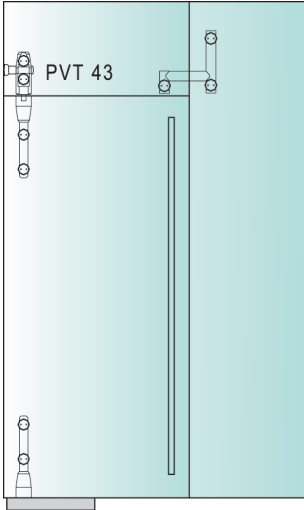
Single point fixing
up,down,left or right
adjustable.



PVT 30C

Overpanel Pivot

PVT 30F

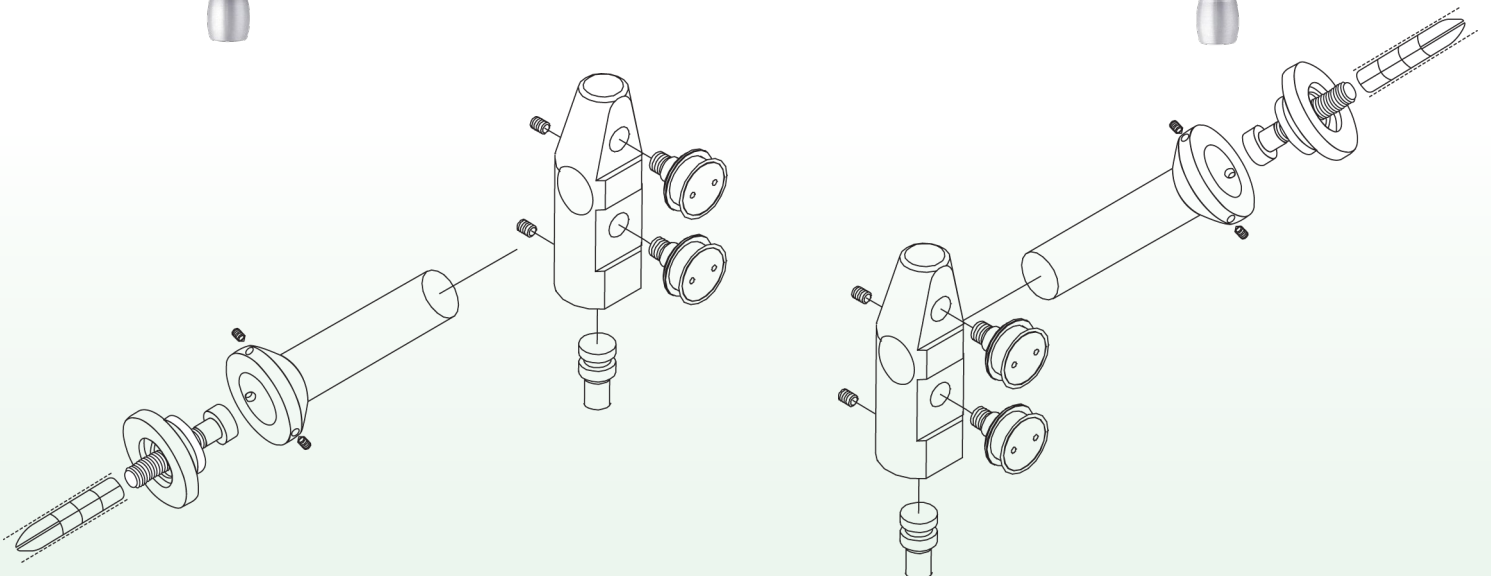
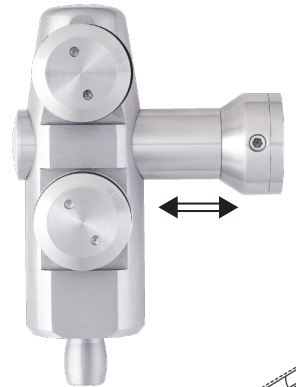


PVT 43C

Adjustable Overpanel Pivot

- For holding overpanel to wall.
- Glass hole notch same as PVT30.

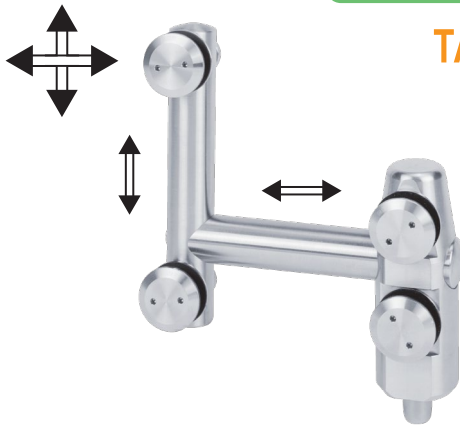
PVT 43F



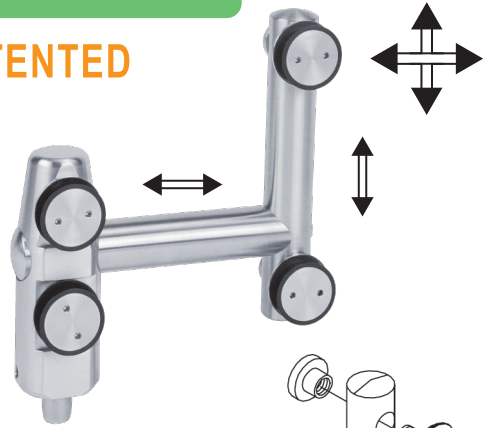
Adjustable corner transom connector

LEFT & RIGHT CHANGEABLE

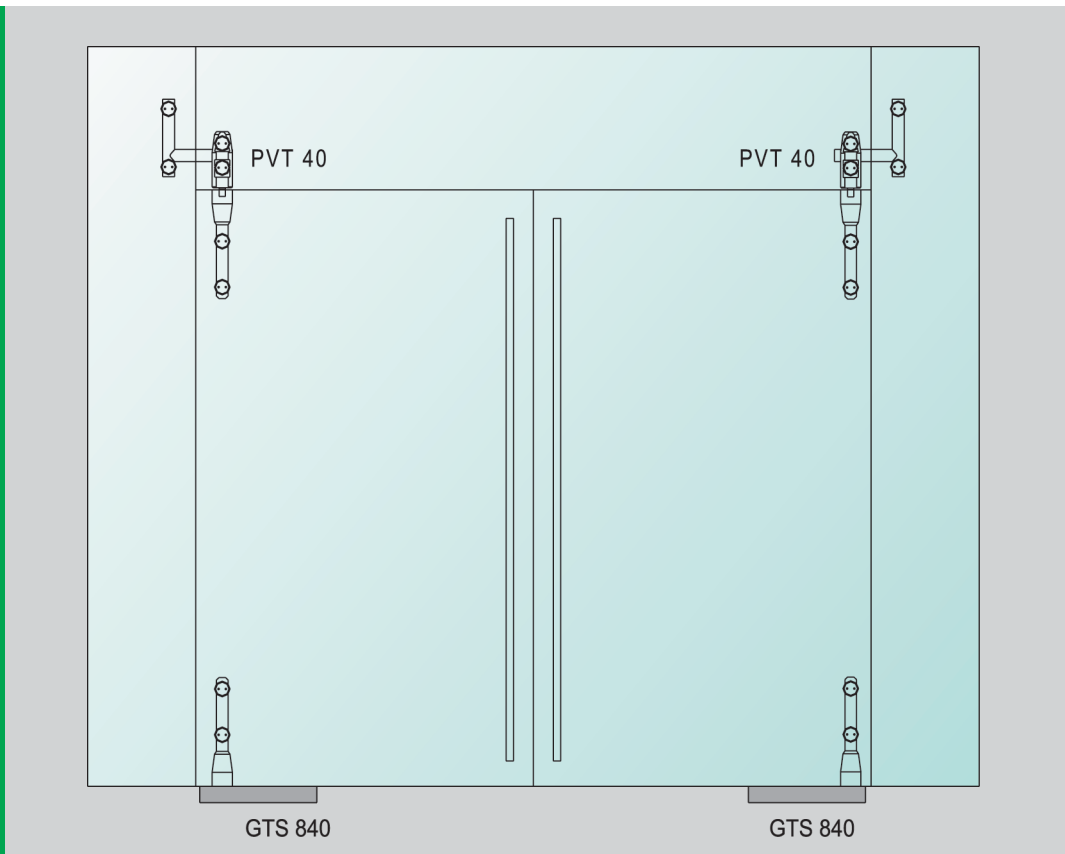
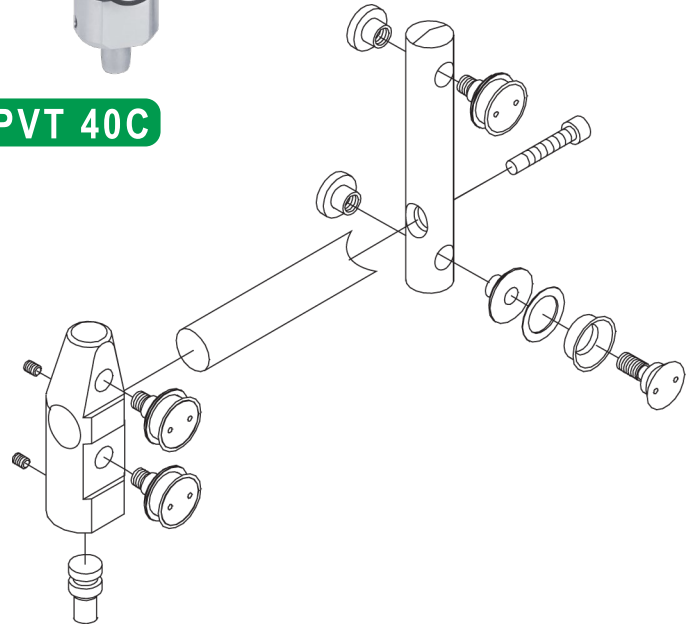
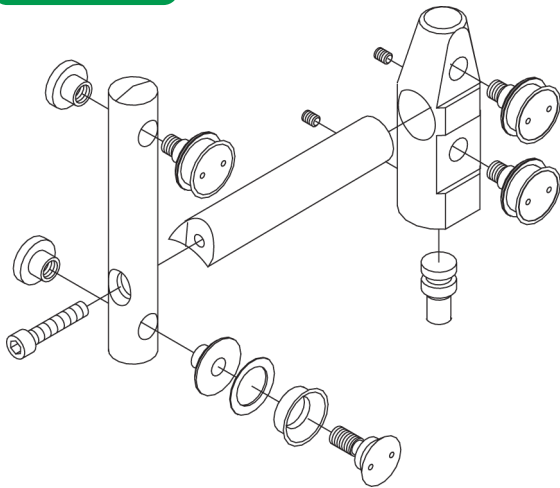
TAIWAN, U.S.A. PATENTED



PVT 40F



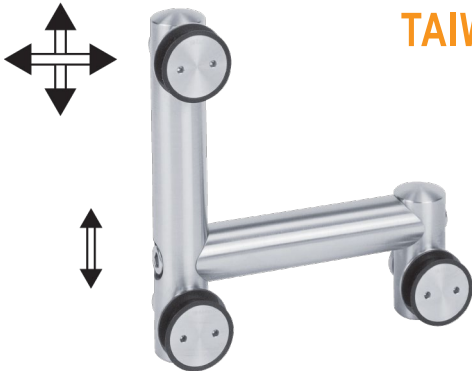
PVT 40C



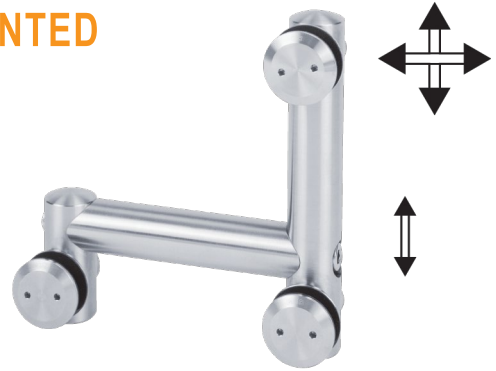
Adjustable corner transom connector

LEFT & RIGHT CHANGEABLE

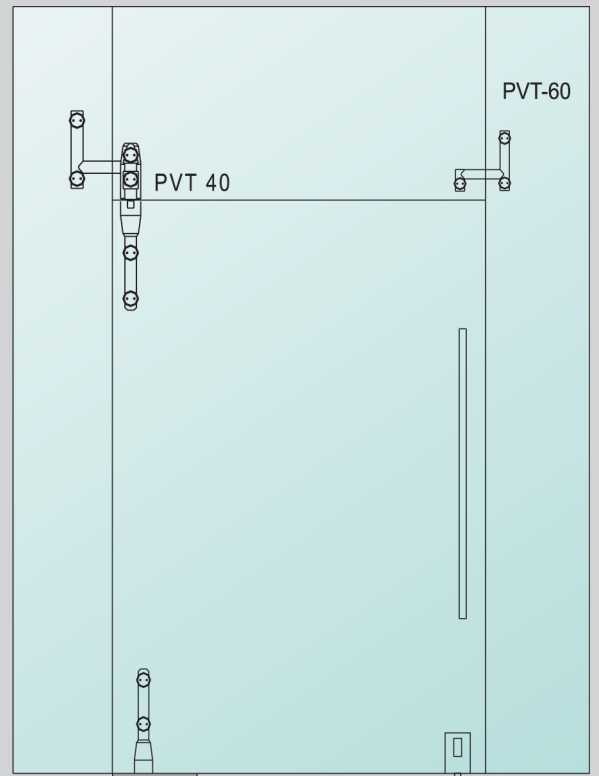
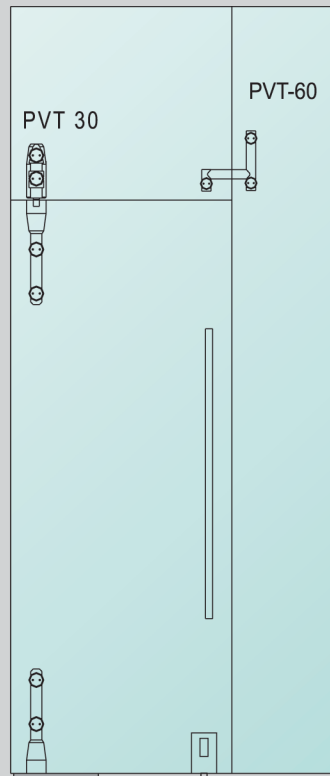
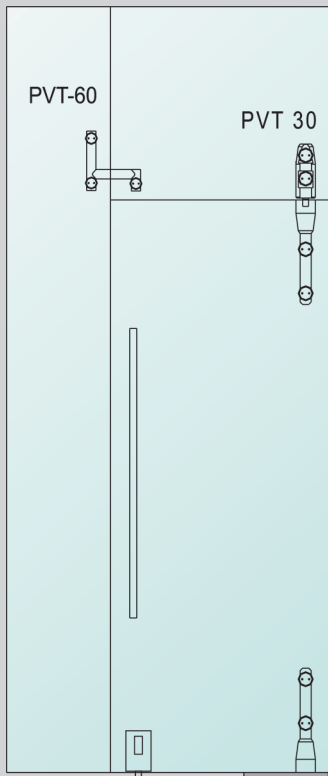
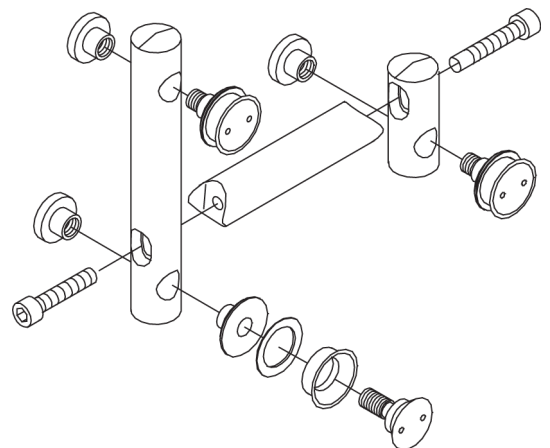
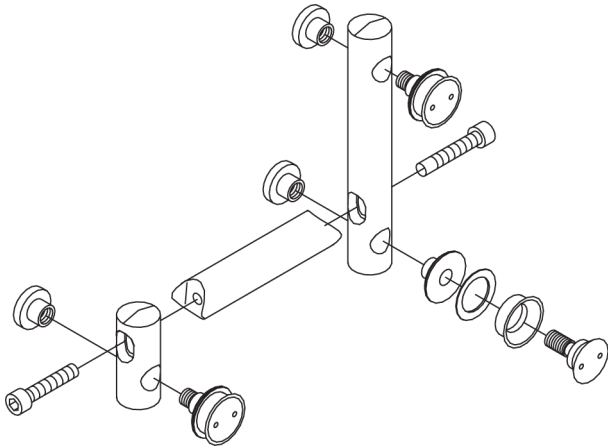
TAIWAN, U.S.A. PATENTED

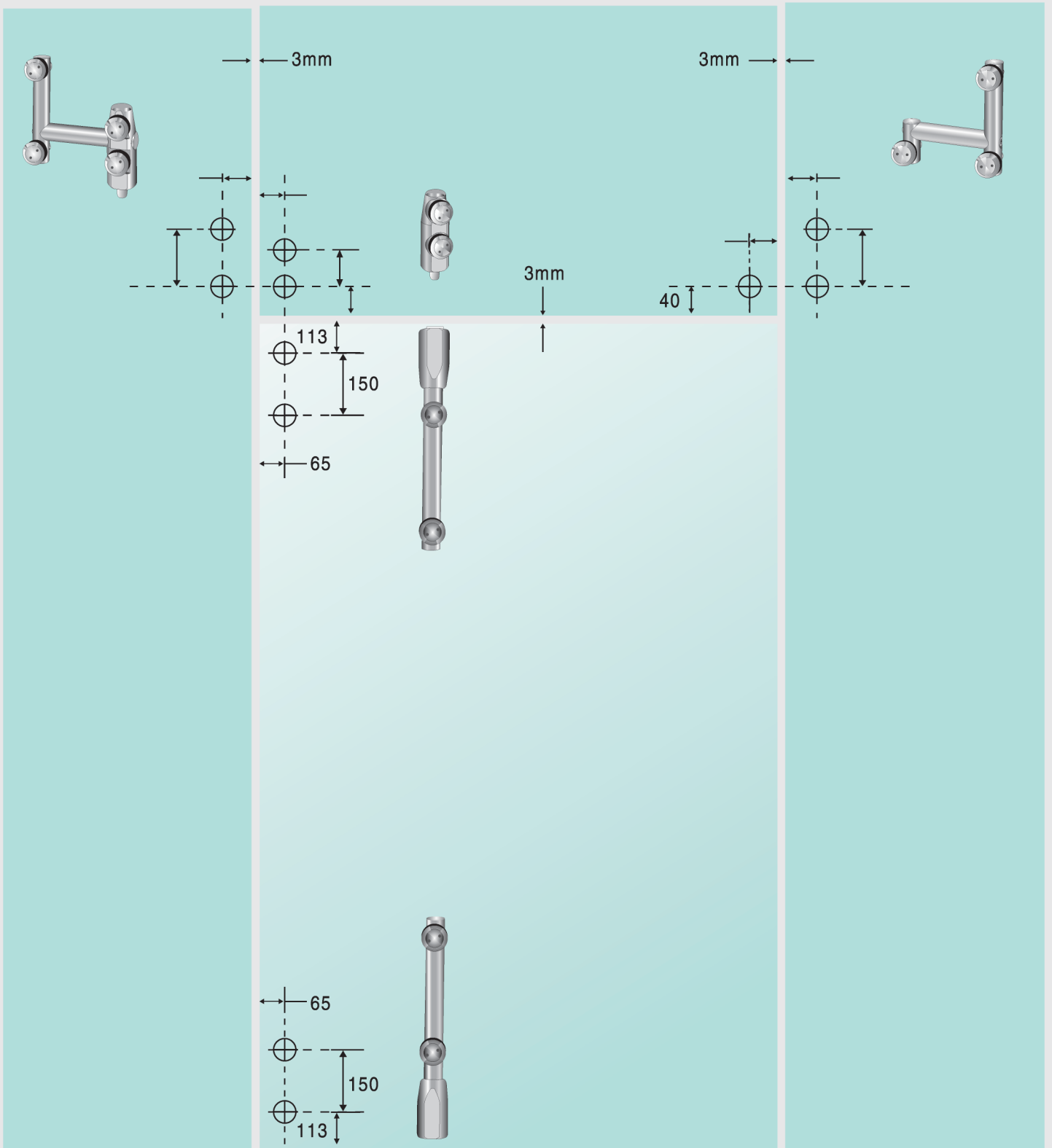


PVT 60C

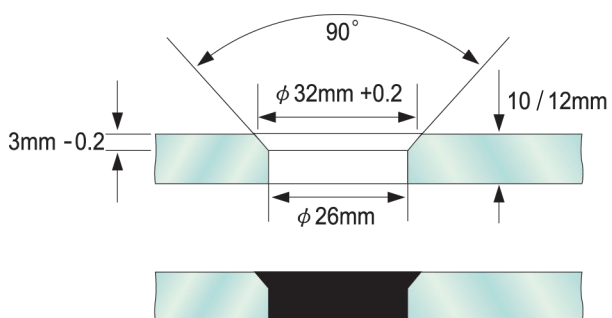


PVT 60F

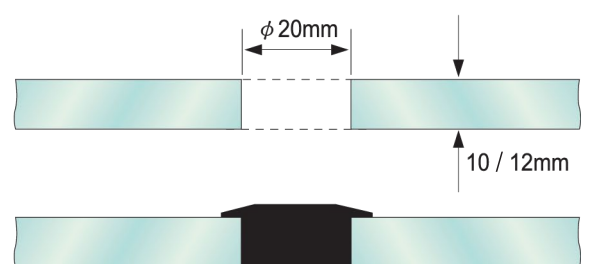




- All pivoting fittings are available for both countersunk and flat glass hole types, Please specify when ordering.



Countersunk hole type (C)



Flat hole type (F)

GL- 34S

Patch Lock

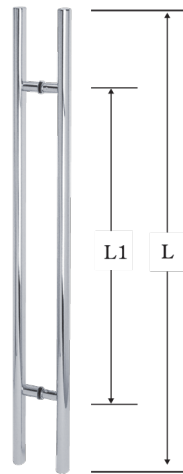
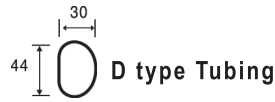


GL- 34R

Patch Lock

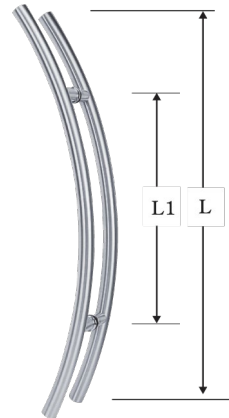


H 16



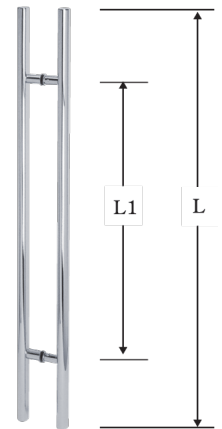
H 20

Ø32mm Round Tubing



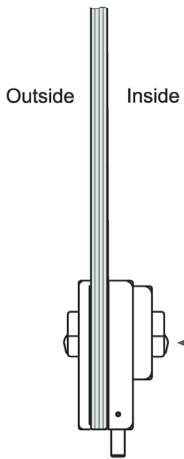
H 22

Ø32mm Round Tubing

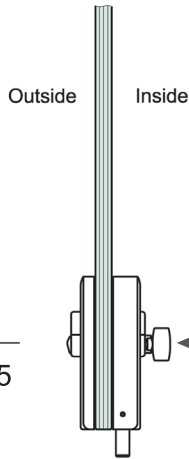


9125

9125ST



GL-34S



GL-34R

● **Customer length acceptable.**

H 16 SIZE (mm)

L(length)	L1(C/C)
800	425
1000	600
1200	800
1500	1020
1900	1200

H 20 SIZE (mm)

L(length)	L1(C/C)
800	450

H 22 SIZE (mm)

L(length)	L1(C/C)
800	425
1000	600
1200	800
1500	1020
1900	800x800

● All handles are manufactured by using high grade SUS 304 stainless steel tube and polished meticulously.

● Available finishes: PSS: Polished stainless steel
SSS: Satin stainless steel

9115



SUS 304 Floor pivot Bearing

9124



SUS 304 Top pivot

9137S



Keeper Cup

9139



Floor Socket
● With spring & dust cover.

GCC Door Controllers



GTS 850



GTS 650



GTS 840

● Spindle Fixed



GTS 840

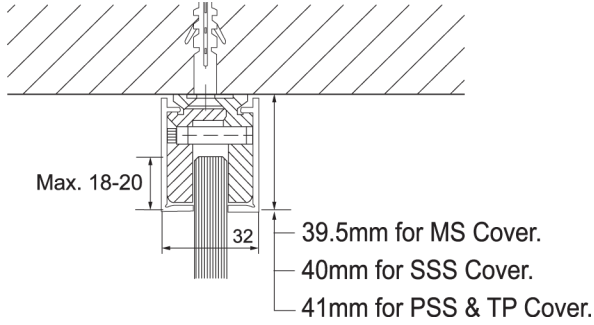
● Spindle Interchangeable

● For details please refer to **GCC Concealed Overhead Door Closer or Floor Springs Catalogues.**

Wall profile system

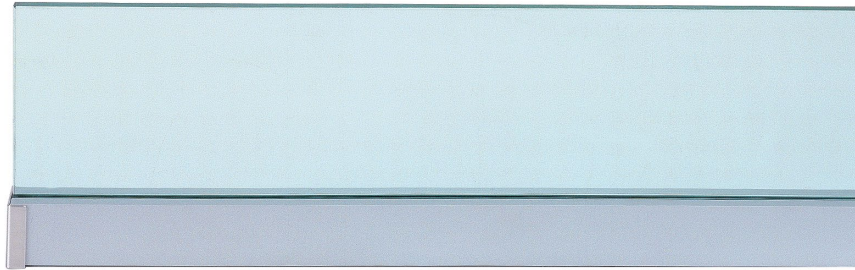
- WP 10** For 10mm(3/8")Glass Thickness.
- WP 12** For 12mm(1/2")Glass Thickness.

- No messy sealant.
- No holes required.
- Easy and quick installation.
- 3000mm stock length.



End Cap

Stainless steel
in PSS, SSS

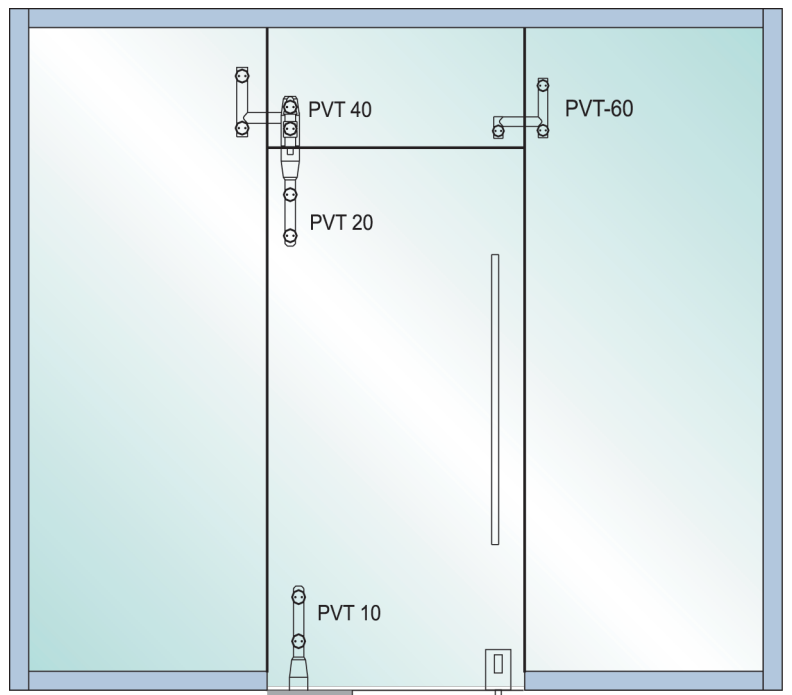
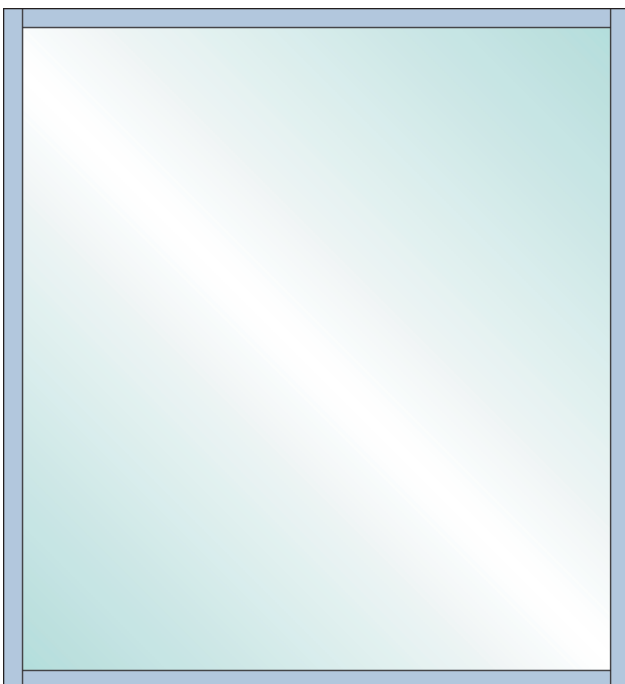


Available finishes for cover:

MS : Aluminium anodized-mat silver

PSS: Polished Stainless Steel.

SSS: Satin Stainless Steel.



In the field of architectural fittings for aluminum & tempered glass doors. both high quality and total design flexibility are essential criteria together with ease of installation, safety and function.

GCC full range of fittings are aesthetically designed and manufactured to provide practicality and security to tempered glass assemblies, such as Tempered Glass Door Fittings, PVC Seals W/Weather Strips, Glass Clamps, Shower Door Hinges, Handles & Knobs, PVC Seals & Wipes and Reinforcement Bars for Shower Screen. Door Rails, Pivoting Door systems, office partition systems, Lever Hinges & Locks, Heavy-Duty Sliding Wall systems, Heavy Duty Sliding & Folding Door System, Floor Spring, Concealed Overhead Door Closer, Glass Connectors....etc. For details welcome to visit our website at www.gccintw.com.tw

GCC will be happy to help your special requirements, for any doubts, please contact your nearest **GCC** distributors for any technical assistance on parts and services, or contact us directly.

If you are looking for high quality products, **GCC** is your best choice.



PGF
Prestige Glass Fittings

Unit 8/3 Selgar Ave
Clovelly Park, SA 5042
Phone: 0429 933 583
Email: sales@prestigeglassfittings.com.au
Web: www.prestigeglassfittings.com.au

Notes: