



G-Tech

Frameless Glass Door System





Office

Bath/
Toilet

GX 512 Series

- This series are non-spring hinges and are made of SUS 304 stainless steel. (SUS 316 Stainless Steel available by order) .
GX 512 Hinges are non-spring and single action design, for proper usage, suggest to use with GX 62MH Series or Magnetic Seal to catch and stop door panel in the center.
- Prepared for 8mm, 10mm & 12mm thick. glass.
- Max. door weight: 50Kgs(110Lbs) per pair recommend 3 hinges for door weight over 50Kgs.
- Max. door width: 1000mm
- Finish: SSS(Hairline Polished)

GX 62 Series

- Connector-for fixed panel.

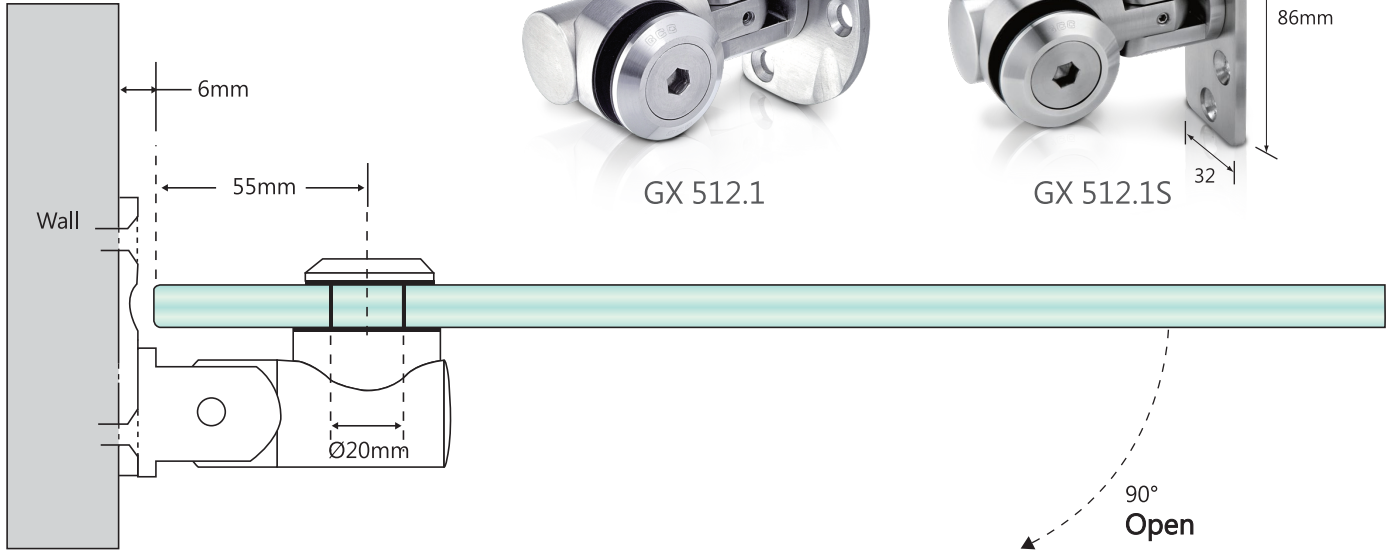
GX 62 MH Series

- This series are door stops with concealed magnetic inside to catch door panel.

GX 512.1

U.S.A.
TAIWAN
PATENTED.

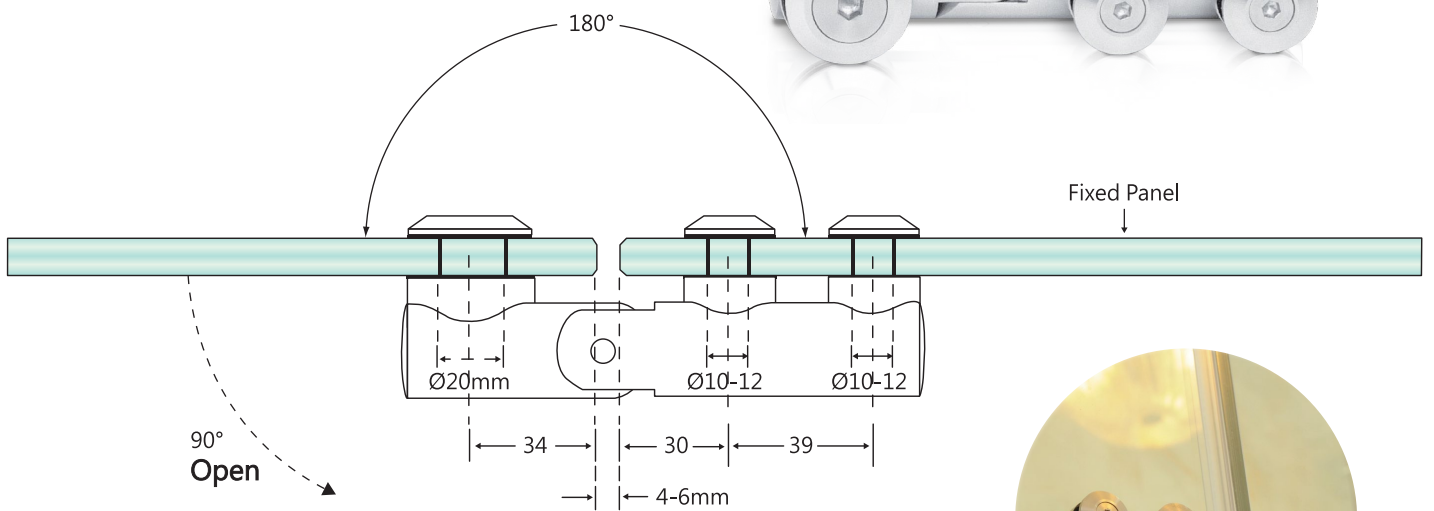
Glass to wall Hinge



GX 512.2

U.S.A.
TAIWAN
PATENTED.

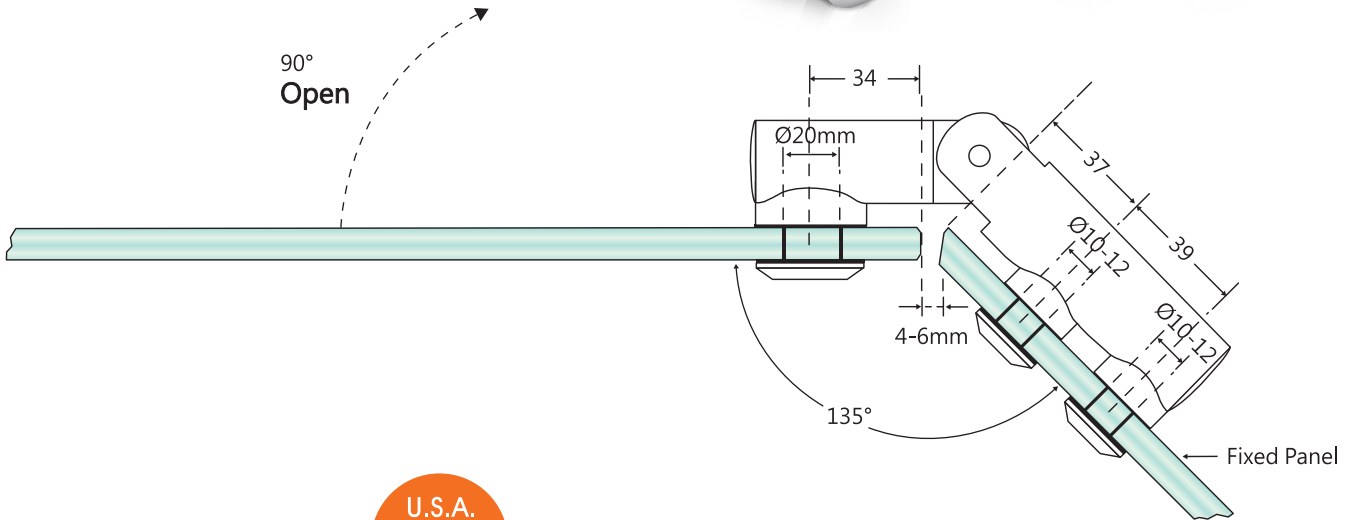
180° Glass to Glass Hinge



GX 512.3

U.S.A.
TAIWAN
PATENTED.

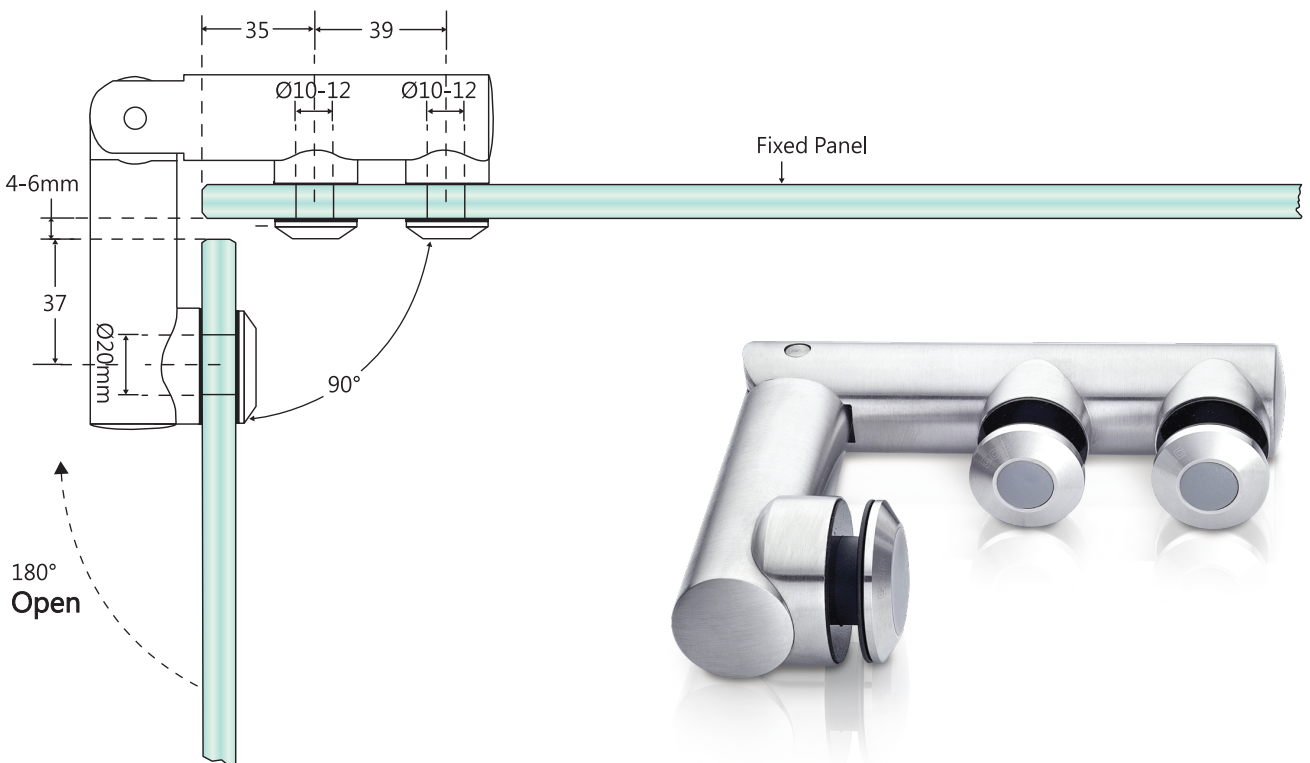
135° Glass to Glass Hinge



GX 512.4

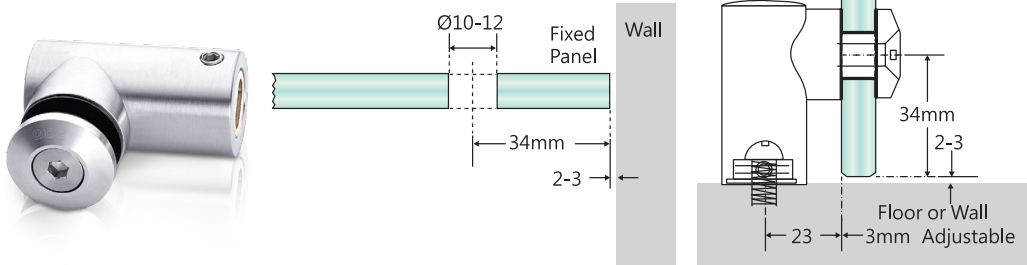
U.S.A.
TAIWAN
PATENTED.

90° Glass to Glass Hinge



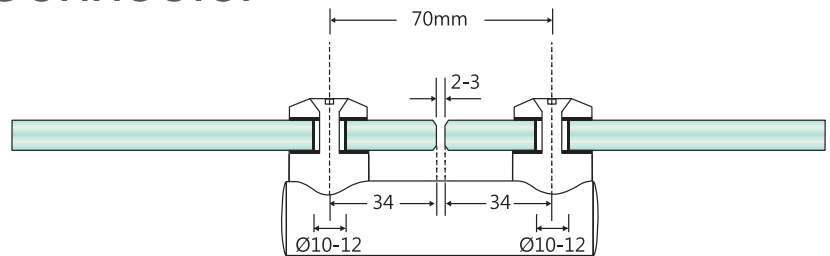
GX 62.1

Glass to wall Connector



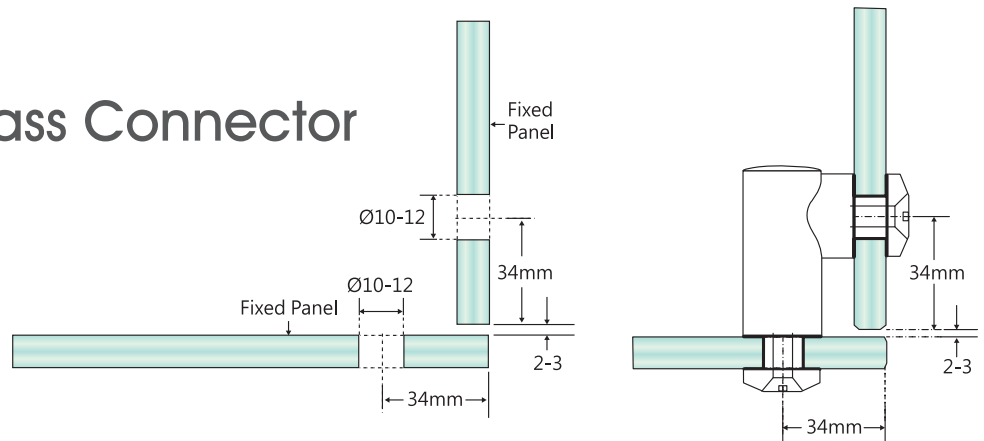
GX 62.2

180° Glass to Glass Connector



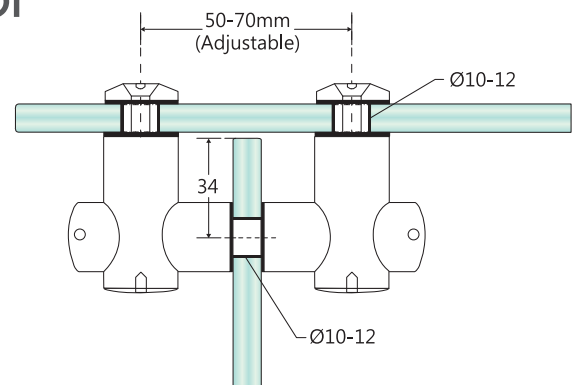
GX 62.4

90° Glass to Glass Connector



GX 62.5

"T" Type Glass to Glass Connector



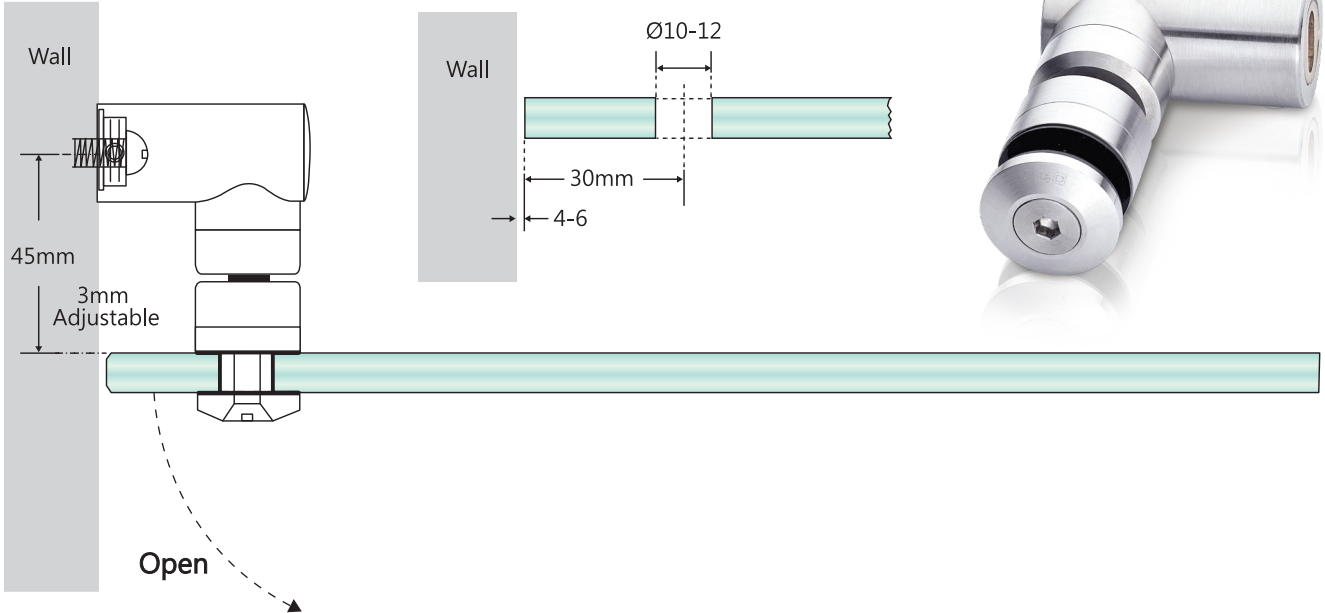
GX 62.1MH

U.S.A.
TAIWAN
PATENTED.

DEUTSCHLAND
Gebrauchsmusters

Magnetic Catch and Door Stop

Wall mounted



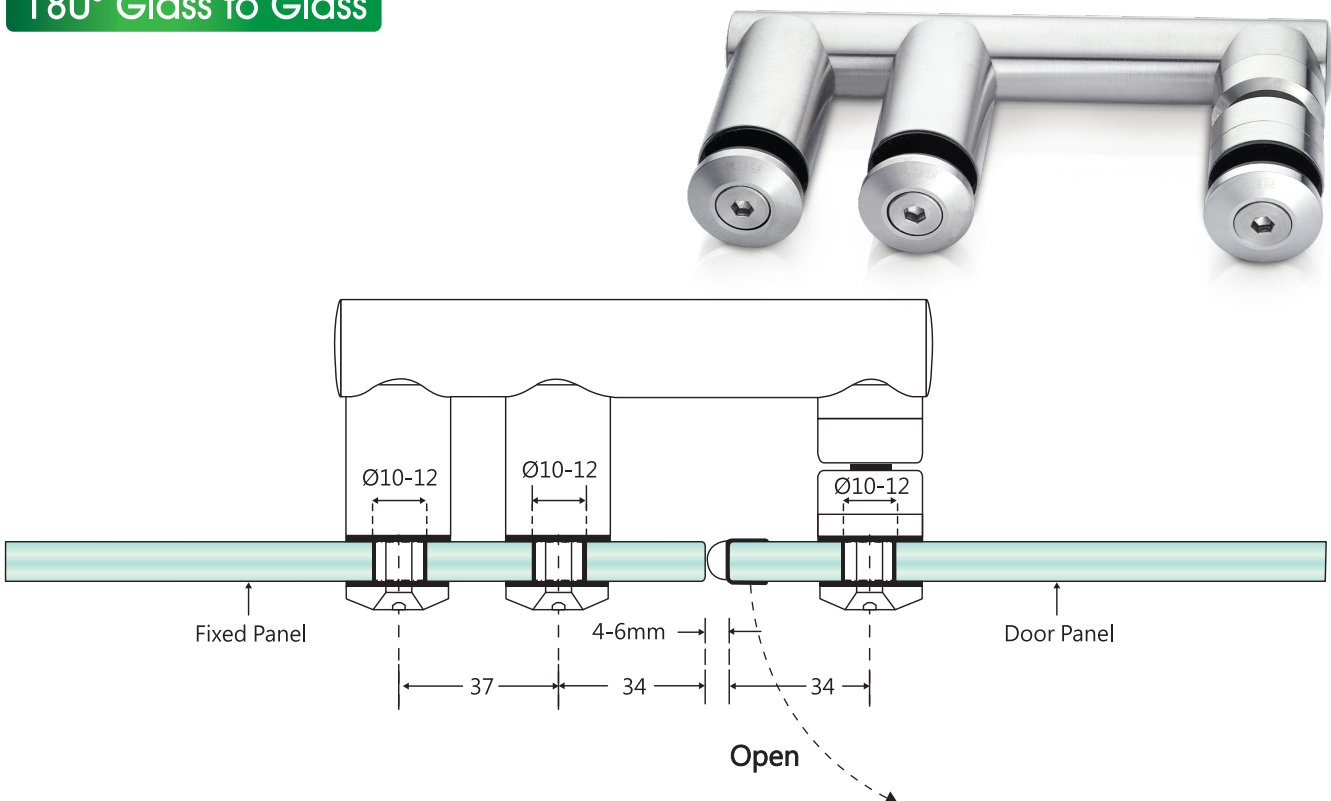
GX 62.2MH

U.S.A.
TAIWAN
PATENTED.

DEUTSCHLAND
Gebrauchsmusters

180° Magnetic Catch and Door Stop

180° Glass to Glass



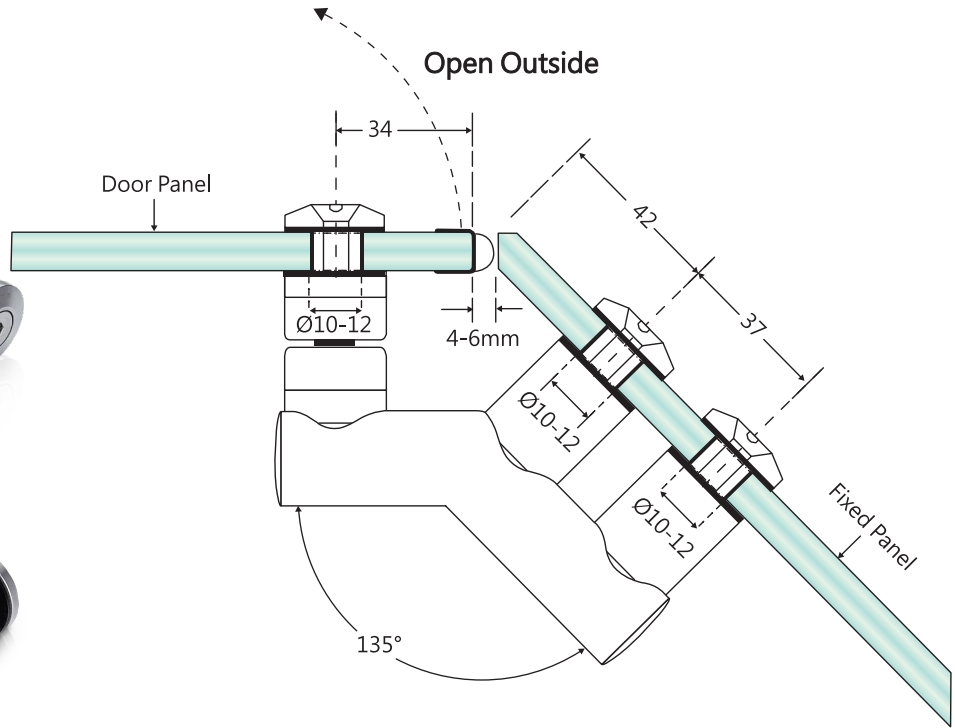
GX 62.3MH

U.S.A.
TAIWAN
PATENTED.

DEUTSCHLAND
Gebrauchsmusters

135° Magnetic Catch and Door Stop

135° Glass to Glass



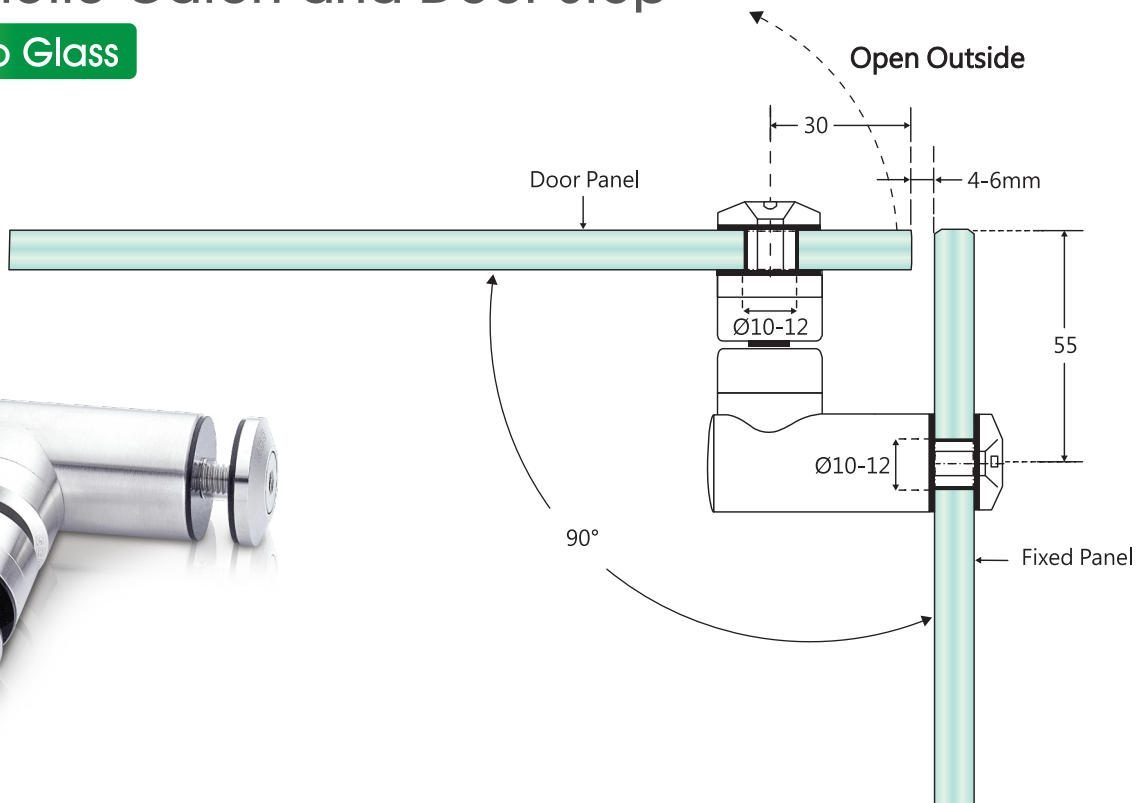
GX 62.4MH

U.S.A.
TAIWAN
PATENTED.

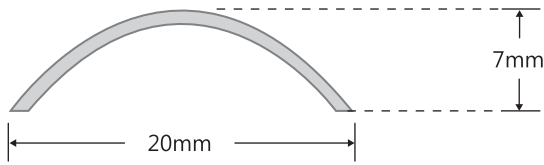
DEUTSCHLAND
Gebrauchsmusters

90° Magnetic Catch and Door Stop

90° Glass to Glass



TH-01 Shower Door Threshold



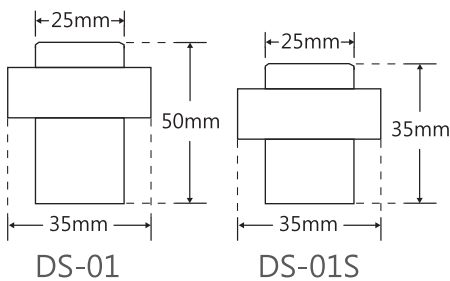
- Made by Stainless Steel SUS304 and Mirror polished,(PSS) (standard stock).
- Length : 1000mm per length (standard stock).
(Other length available by order)



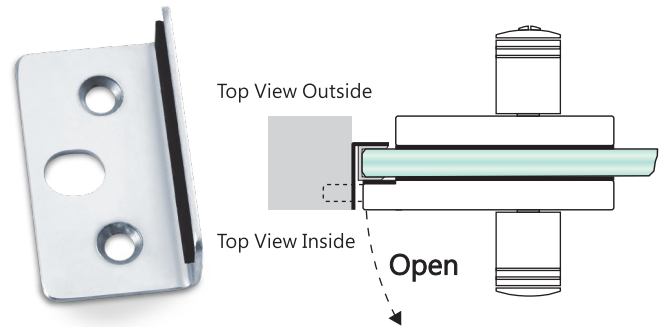
DS-01 Door Stopper (50mm)

DS-01S Door Stopper (35mm)

- Made by Solid Stainless Steel SUS304 With black rubber.
- **Finish** PSS : Mirror polished.
SSS : Satin (Hairline) Polished.
- Fixing screw & anchor are included.



KP-52 Keeper Plate

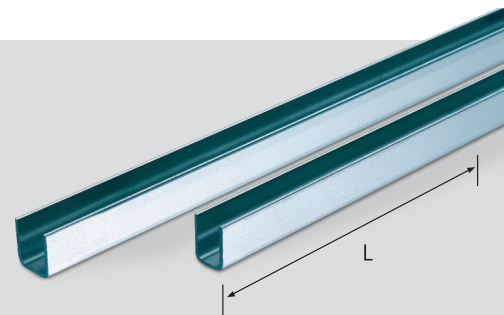


For keeping and stopping single action door panel (IDL-52).

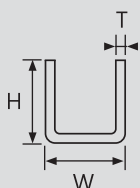
- Material : SUS304 Stainless Steel.
- **Finish** PSS : Mirror polished.
SSS : Satin (Hairline) polished.

U Channel-For Fixed Panel

- Material : Stainless Steel SUS304 (Standard stock) or SUS316 (by order).
- **Available Finishes** PSS : Polished Stainless Steel.
SSS : Satin Stainless Steel.
TP : Titanium plated. (PVD coated as Gold color).



Unit : mm



Code No.	W	H	T	L
U-142020	14	20	2	2200
U-132015	13	20	1.5	2200
U-172020	17	20	2	2200
U-162015	16	20	1.5	2200
U-171815	17	18	1.5	3000

Code No.	W	H	T	L
U-172515	17	25	1.5	3000
U-172512	17	25	1.2	2400
U-172512	17	25	1.2	3000
U-172012	17	20	1.2	2400
U-172012	17	20	1.2	3000

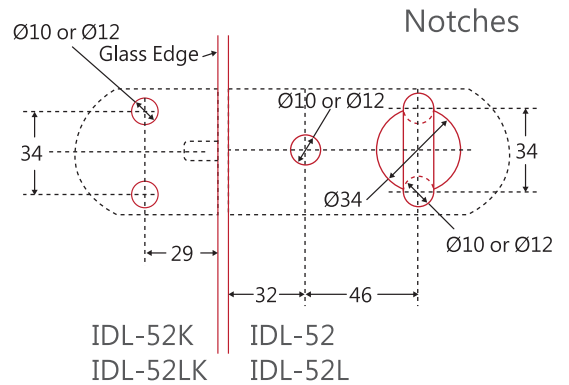
- Thickness, Length & Size are acceptable by order
- Ø 6mm hole for screw fixing available by order.

Indicator Locks & Keepers

U.S.A.
TAIWAN
PATENTED.

DEUTSCHLAND
Gebrauchsmusters

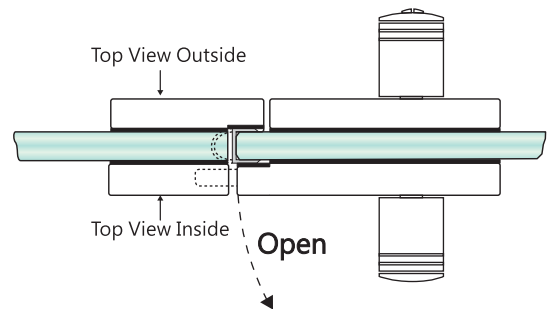
- Lock with SUS304 Stainless Steel Knobs & Covers.
- Coin Open From Outdoor for Emergency.
- Suitable for Glass Door Panel Thickness: 8, 10, 12mm.
- Available Finishes PSS : Polished Stainless Steel.
SSS : Satin Stainless Steel.
TP : Titanium plated.
(PVD coated as Gold color.)



Single Action type-swing indoor

IDL-52

IDL-52K



Outdoor



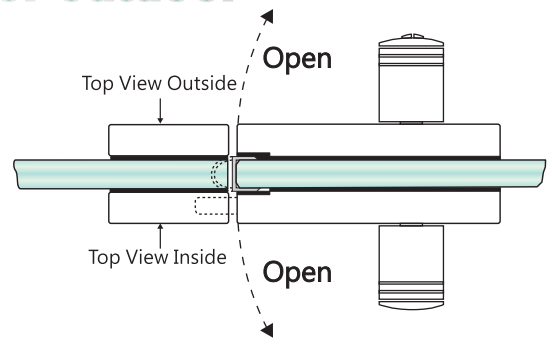
Indoor

Red (Locked) Green (Unlock)

Double Action type-swing indoor or outdoor

IDL-52L

IDL-52LK



Outdoor



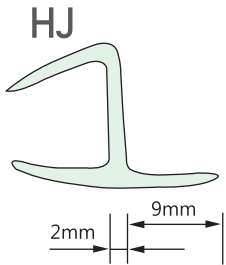
Indoor

Red (Locked) Green (Unlock)

Clear PVC Seals and Wipes

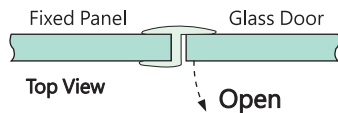
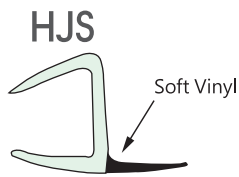
“H” Jamb

For 180° Glass to Glass



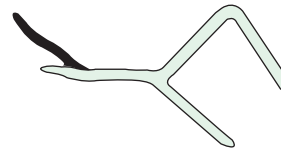
Code No.	Glass Size
P08 HJ	8mm(5/16")
P10 HJ	10mm(3/8")

Code No.	Glass Size
P06 HJS	6mm(1/4")
P08 HJS	8mm(5/16")
P10 HJS	10mm(3/8")
P12 HJS	12mm(1/2")

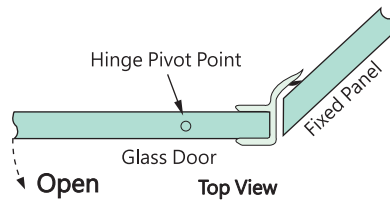


Door Jamb

For 135° Glass to Glass

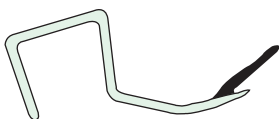


Code No.	Glass Size
P06 DJ	6mm(1/4")
P08 DJ	8mm(5/16")
P10 DJ	10mm(3/8")

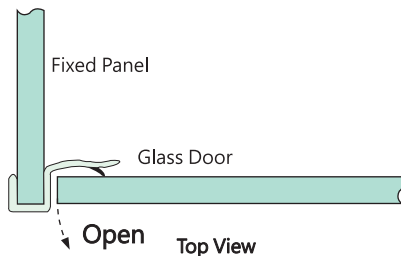


Strike Jamb

For 90° Glass to Glass

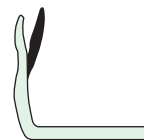


Code No.	Glass Size
P06 SJ	6mm(1/4")
P08 SJ	8mm(5/16")
P10 SJ	10mm(3/8")

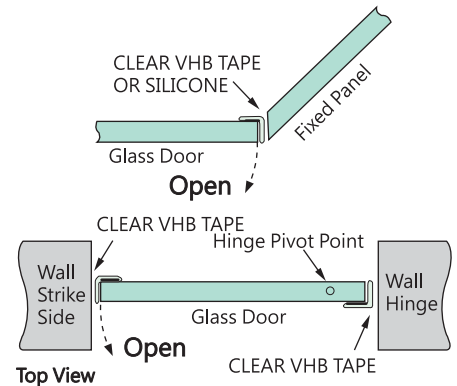


Angle Jamb

For Glass to Glass or Glass to Wall



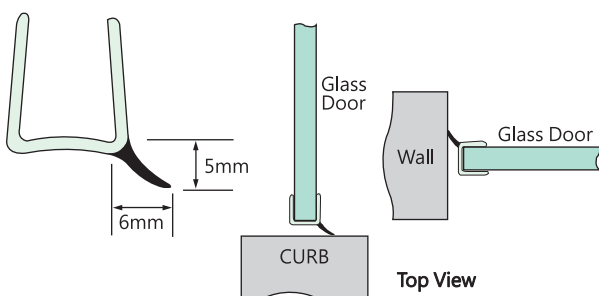
Code No.	Glass Size
P612 LJ	6-12mm(1/4"~1/2")



Seal and Wipe

- Snap on door bottom as a wipe.
- Snap on overlapping bi-fold door as a seal.

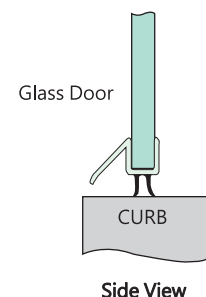
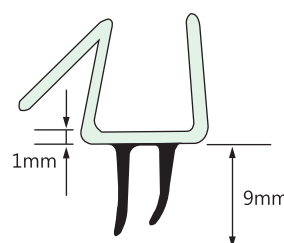
Code No.	Glass Size
P06 SW	6mm(1/4")
P08 SW	8mm(5/16")
P10 SW	10mm(3/8")



Bottom Wipe with Drip Rail

- Soft wipes for create a water tight seal.
- 45° Drip Rail sheds water back into the shower stall.

Code No.	Glass Size
P06 WDR	6mm(1/4")
P08 WDR	8mm(5/16")
P10 WDR	10mm(3/8")



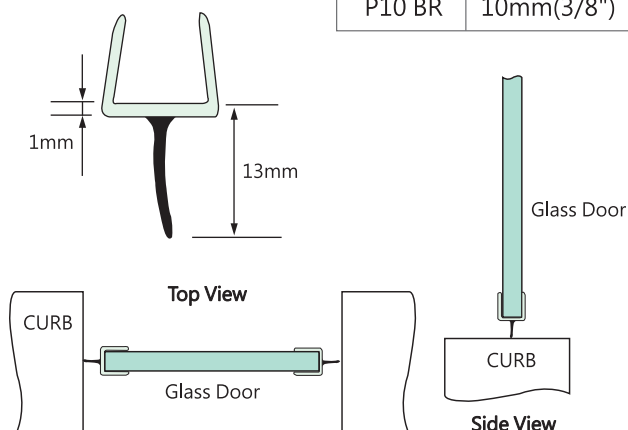
Snap on Tape on types Supplied in 2200mm(87") stock lengths.

Customer length acceptable by order.

Bottom Rail

- Snap on door bottom achieve a seal.
- Snap on overlapping bi-fold door as a seal.

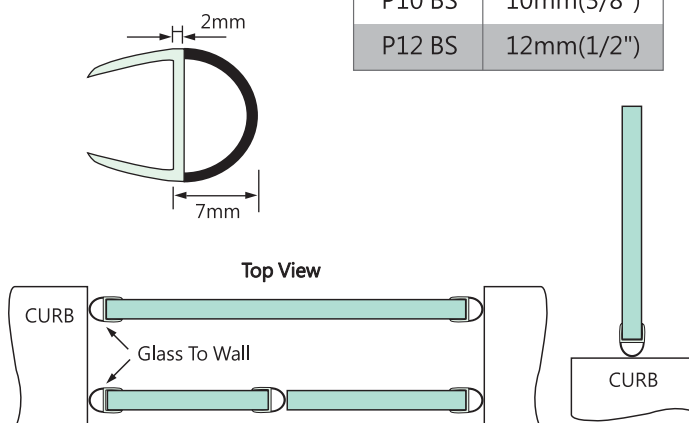
Code No.	Glass Size
P06 BR	6mm(1/4")
P08 BR	8mm(5/16")
P10 BR	10mm(3/8")



Bubble Seal

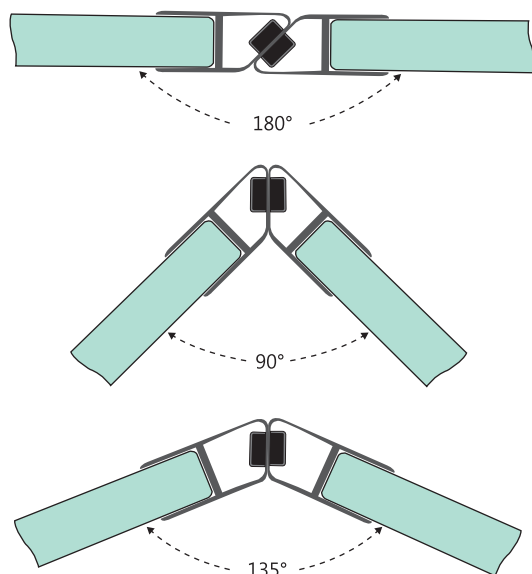
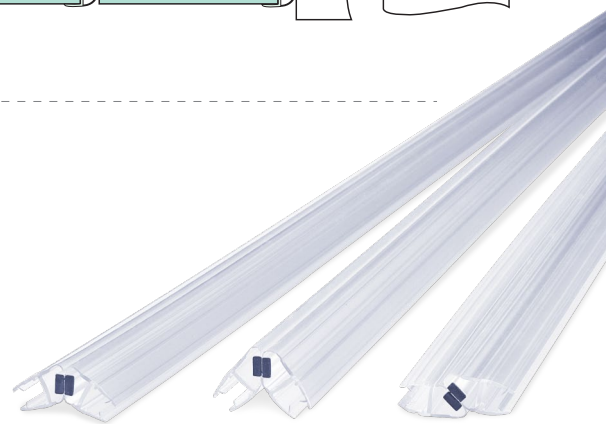
- Snap on door bottom achieve a seal.
- Snap on overlapping bi-fold door as a seal.

Code No.	Glass Thickness
P06 BS	6mm(1/4")
P08 BS	8mm(5/16")
P10 BS	10mm(3/8")
P12 BS	12mm(1/2")



Magnetic Profiles(Seals)

- For both 8mm(5/16") and 10mm(3/8") thick glass.
- For frameless glass to close more tightly.
- Made of co-extruded material with soft magnetic receiver.
- 8mm & 10mm glass are in different clearance.



PG 10A & PG10B

- 180° glass to glass use PG 10A or PG 10B reverse for polarity.
- Length : 2.2M per length.

PG 10A & PG10B

- 90° glass to glass (reverse for polarity).
- Length : 2.2M per length.

PG 10D & PG10E

- 135° glass to glass.
- Length : 2.2M per length.



In the field of architectural fittings for aluminum & tempered glass doors. both high quality and total design flexibility are essential criteria together with ease of installation, safety and function.

GCC full range of fittings are aesthetically designed and manufactured of provide practicality and security to tempered glass assemblies, such as Tempered Glass Door Fittings, PVC Seals W/Weather Strips, Glass Clamps, Shower Door Hinges, Handles & Knobs, PVC Seals & Wipes and Reinforcement Bars for Shower Screen. Door Rails, Pivoting Door system, office partition systems, Lever Hinges & Locks, Heavy-Duty Sliding Wall systems, Heavy Duty Sliding & Folding Door System, Floor Spring, Concealed Overhead Door Closer, Glass Connectors...etc. For details welcome to visit our website at www.gccintw.com.tw

GCC will be happy to help your special requirements, for any doubts, please contact your nearest **GCC** distributors for any technical assistance on parts and services, or contact us directly.

If you are looking for high quality products, **GCC** is your best choice.



PGF
Prestige Glass Fittings

Unit 8/3 Selgar Ave
Clovelly Park, SA 5042
Phone: 0429 933 583
Email: sales@prestigeglassfittings.com.au
Web: www.prestigeglassfittings.com.au

Notes: