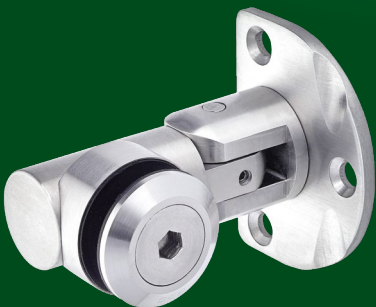


GCC[®]

FRAMELESS

Shower Screen Systems



GCC Shower Door Hinges are made from the meticulous process of selecting the finest brass alloys suitable for drop forging, polishing and plating using the most advanced technical know-how, and stainless steel pin to prevent rust.



Front

GX 990.1B
Wall Mount - One side fixing



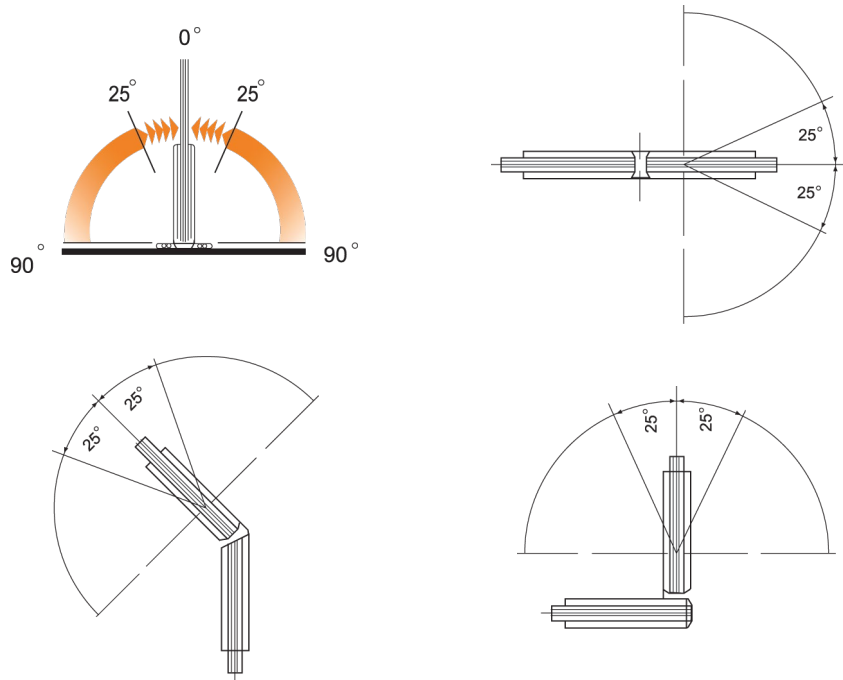
Front

GX 992.1B
Wall Mount - One side fixing



Front

GX 680.1B
Wall Mount - One side fixing



* All hinges are **double action spring** from 0° to 180° with automatic return to centre (self-centering) from approx 25° each side (GX 989, GX 990, GX991, GX992, GX993, GX680 series)

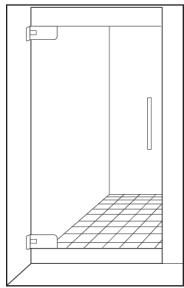
- Available Finishes:**
- PC: Polished Chrome Plate.
 - SC: Satin Chrome Plate.
 - PB: Polished Brass with clear varnish coating.
 - TP: Titanium Plated (PVD coated as gold color).



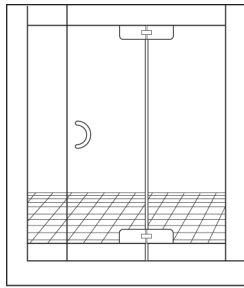
* For hold the glass panel tight without loosing after long use, **GCC** use impregnable gaskets and allen-key stainless steel screws to provide a sure grip on glass surfaces.

- **Glass Thickness: 8mm(5/16") or 10mm(3/8") tempered safety glass.**
- **Max. Door Weight: 40Kgs(90Lbs)**
- **Max. Door Width: 1000mm(39")**
- **Complete with gaskets, stainless steel screws & wall plugs.**
- **Standard package: pair in one box.**

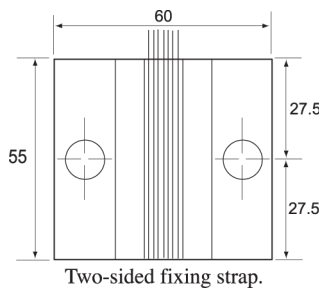
GX 989 Series



Wall Mount



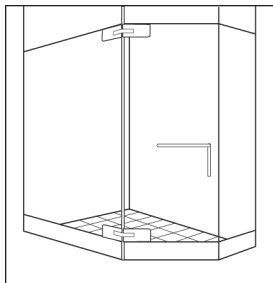
180° Glass-To-Glass



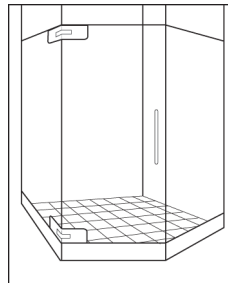
Two-sided fixing strap.



■ GX 989.1 Wall Mount



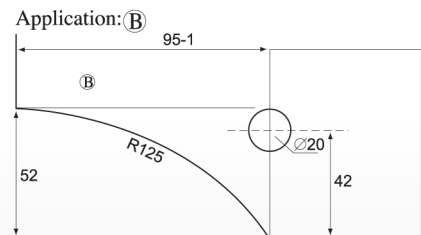
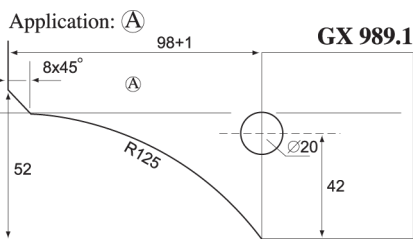
135° Glass-To-Glass



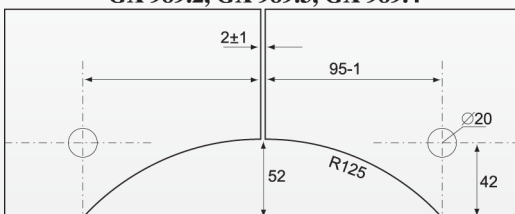
90° Glass-To-Glass



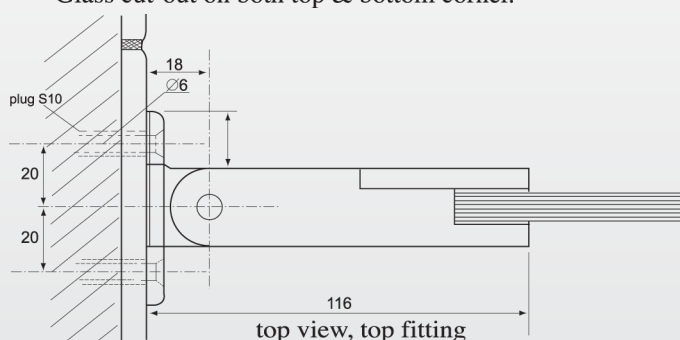
■ GX 989.2 180° Glass-To-Glass



GX 989.2, GX 989.3, GX 989.4



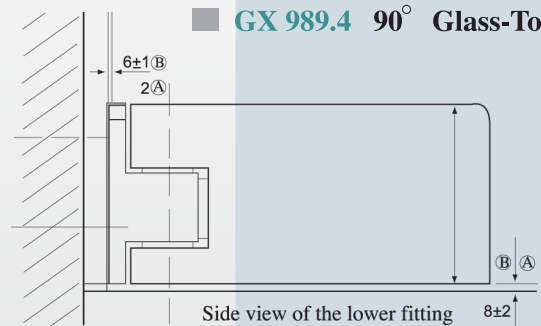
Glass cut-out on both top & bottom corner.



■ GX 989.3 135° Glass-To-Glass



■ GX 989.4 90° Glass-To-Glass



- (A) Door without sealing
- (B) Door with lip-shaped sealing to the wall and/or to the bath-tub.

GCC[®]

GX 990 Series

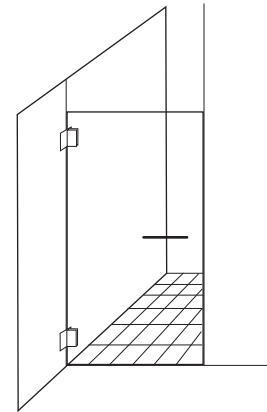
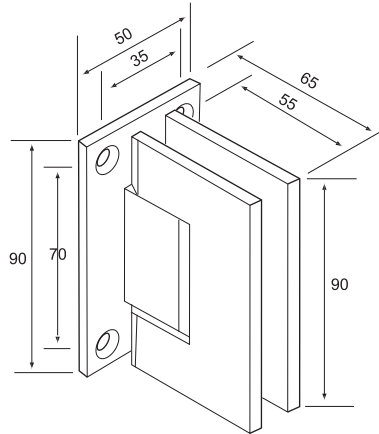
- **Glass Thickness: 10mm(3/8") or 12mm(1/2") tempered safety glass.**
- **Max. Door Weight: Using 2 hinges for 37Kgs. (80Lbs)
3 hinges for 55Kgs. (121Lbs)**
- **Max. Door Width: 2 hinges for 800mm (31")
3 hinges for 900mm (35")**
- **Complete with gaskets, stainless steel screws & wall plugs.**
- **Standard package: pair in one box.**



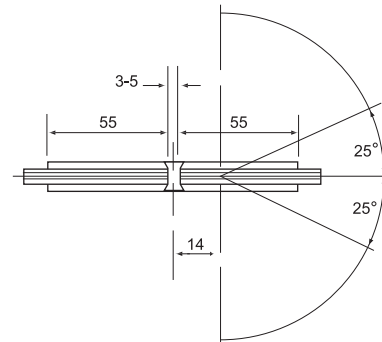
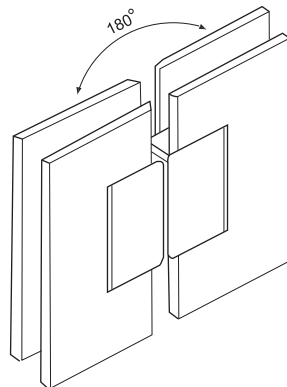
GX 990.1

■ GX 990.1 Wall Mount

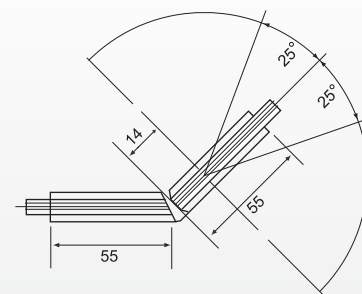
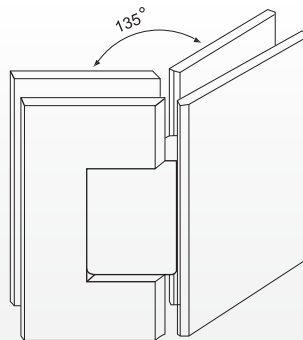
■ GX 990.1B Wall Mount – One side fixing
(see page 6)



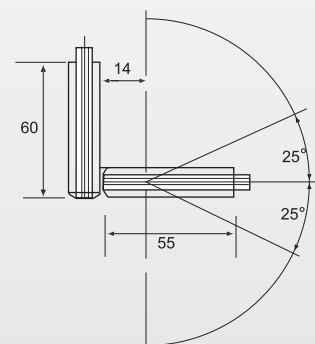
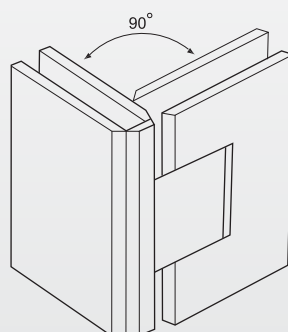
■ GX 990.2 180° Glass-To-Glass



■ GX 990.3 135° Glass-To-Glass



■ GX 990.4 90° Glass-To-Glass

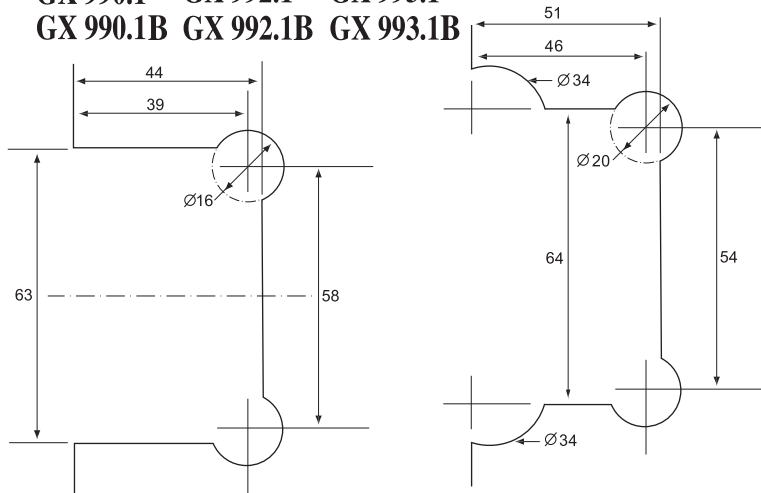


- **Glass Thickness:** 10mm(3/8") or 12mm(1/2") tempered safety glass.
- **Max. Door Weight:** Using 2 hinges for 37Kgs. (80Lbs)
3 hinges for 55Kgs. (121Lbs)
- **Max. Door Width:** 2 hinges for 800mm (31")
3 hinges for 900mm (35")
- Complete with gaskets, stainless steel screws & wall plugs.
- Standard package: **pair in one box.**

GCC[®]

GX 992 Series

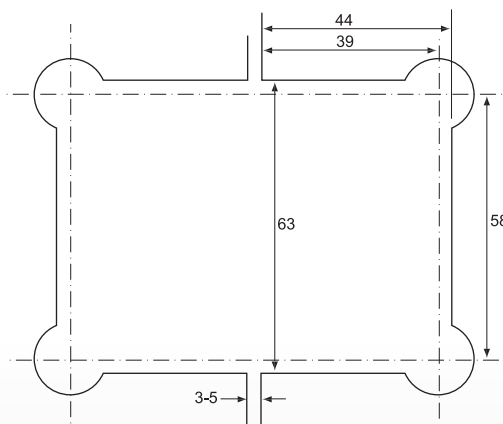
GX 990.1 GX 992.1 GX 993.1
GX 990.1B GX 992.1B GX 993.1B



- GX 992.1 Wall Mount
- GX 992.1B Wall Mount - One side fixing (see page 6)

THIS NOTCH WILL MAKE GLASS CLOSE TO WALL

GX 990.2
GX 990.3
GX 990.4
GX 992.2
GX 992.3
GX 992.4
GX 993.2
GX 993.3
GX 993.4

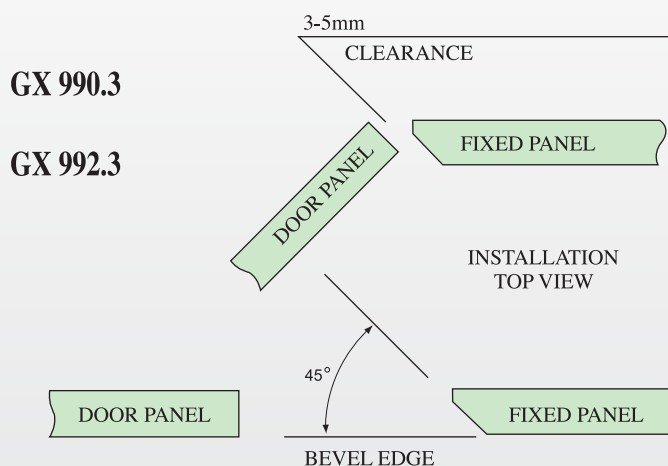


- GX 992.2 180° Glass-To-Glass



- GX 992.3 135° Glass-To-Glass

NOTE:
Bevel edge on fixed panel is needed.



GX 990.3

GX 992.3



- GX 992.4 90° Glass-To-Glass

GCC[®]

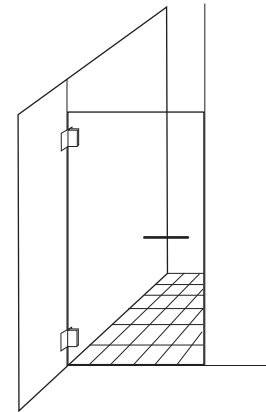
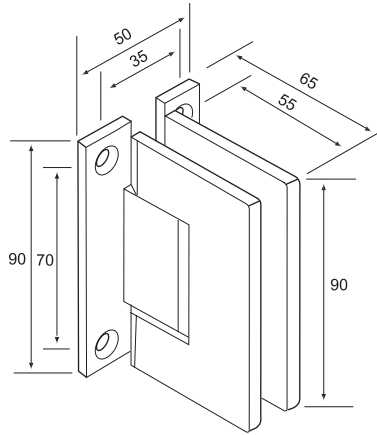
GX 993 Series

- **Glass Thickness: 10mm(3/8") or 12mm(1/2") tempered safety glass.**
- **Max. Door Weight: Using 2 hinges for 37Kgs. (80Lbs)
3 hinges for 55Kgs. (121Lbs)**
- **Max. Door Width: 2 hinges for 800mm (31")
3 hinges for 900mm (35")**
- **Complete with gaskets, stainless steel screws & wall plugs.**
- **Standard package: pair in one box.**

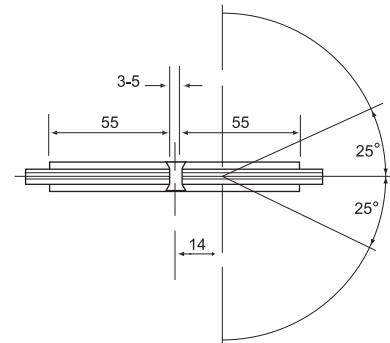
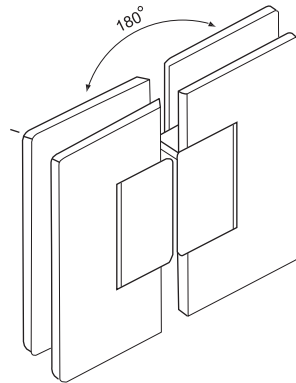


■ GX 993.1 Wall Mount

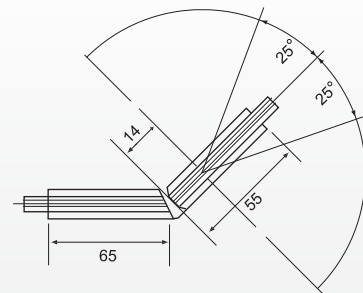
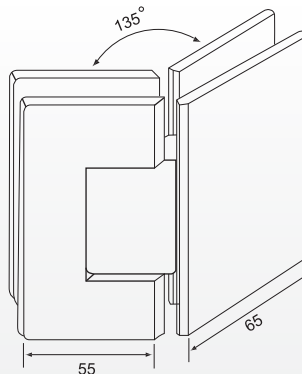
■ GX 993.1B Wall Mount – One side fixing
(see page 6)



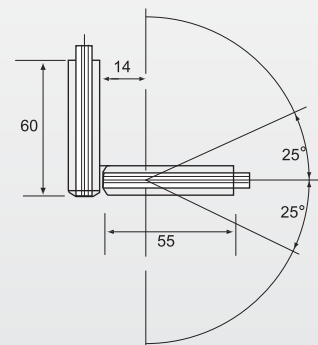
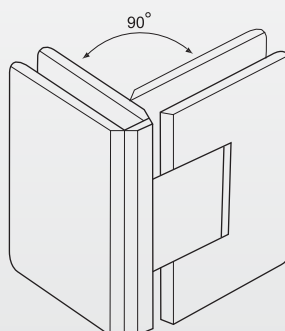
■ GX 993.2 180° Glass-To-Glass



■ GX 993.3 135° Glass-To-Glass

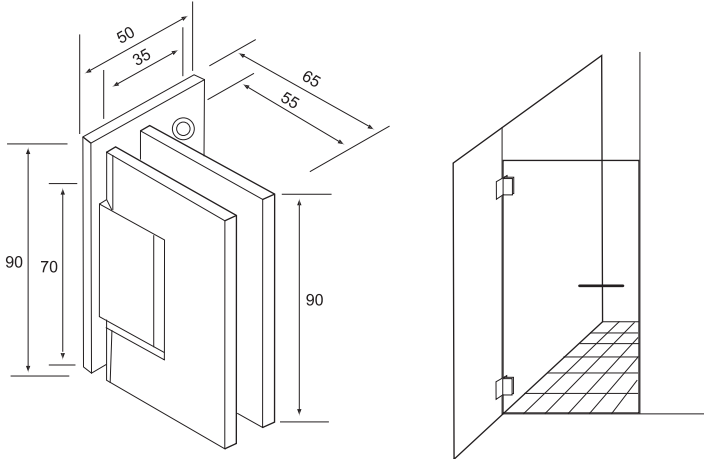


■ GX 993.4 90° Glass-To-Glass

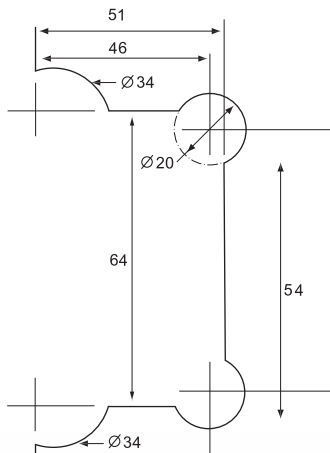
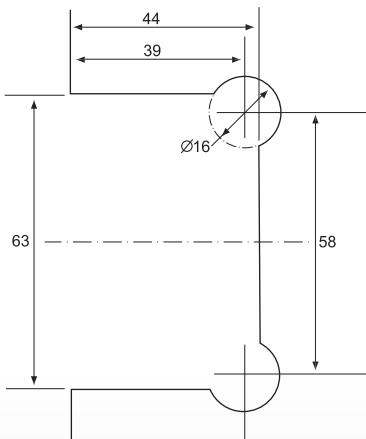


Wall Mount-Offset Back Plate

- One Side Fixing.
- Allows Clean Sight Line From Shower exterior.
- Refer GX990.1,GX992.1,GX680.1 For Notch & Technical Details.



GX 990.1B GX 992.1B



THIS NOTCH WILL MAKE GLASS CLOSE TO WALL



Front



Rear

■ **GX 990.1B** Wall Mount - One side fixing



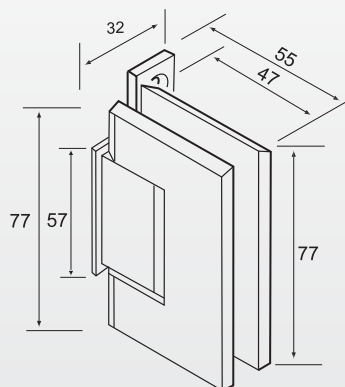
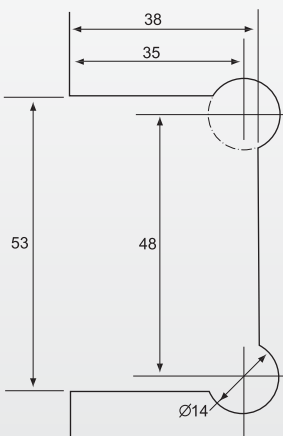
Front



Rear

■ **GX 992.1B** Wall Mount - One side fixing

GX 680.1B



Front



Rear

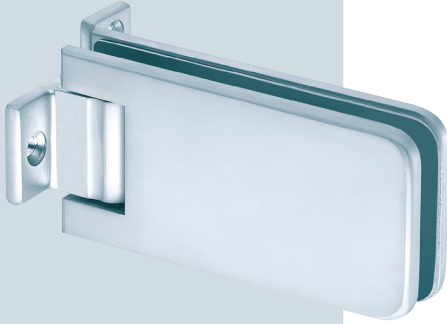
■ **GX 680.1B** Wall Mount - One side fixing

GCC[®]

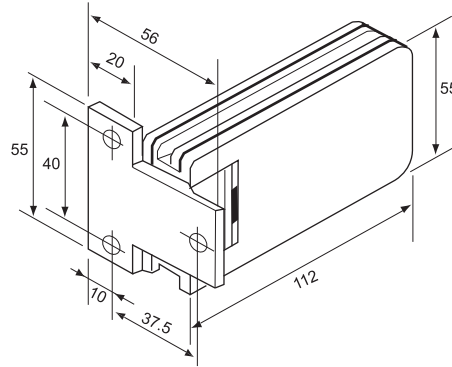
GX 991 Series

- **Glass Thickness:** 8mm(5/16") or 10mm(3/8") tempered safety glass.
- **Max. Door Weight:** Using 2 hinges for 40Kgs. (90Lbs)
3 hinges for 50Kgs. (110Lbs)
- **Max. Door Width:** 2 hinges for 800mm (31")
3 hinges for 900mm (35")
- Complete with gaskets, stainless steel screws & wall plugs.
- Standard package: **pair in one box.**

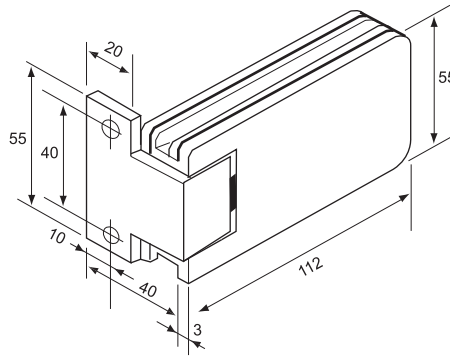
※ The series can be mounted on glass within the door or at corner



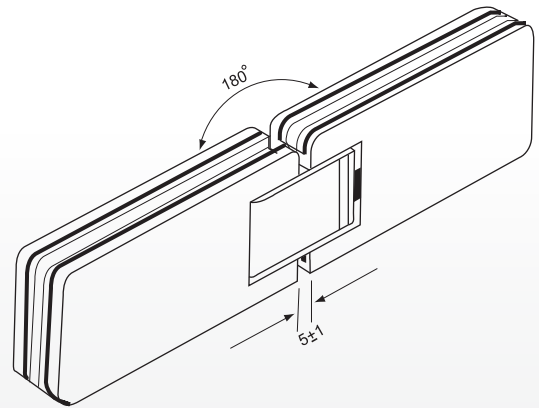
■ GX 991.1 Wall Mount



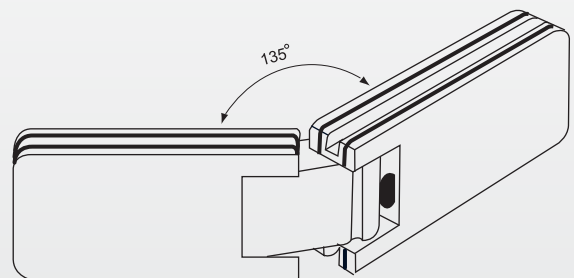
■ GX 991.1B Wall Mount - One side fixing



■ GX 991.2 180° Glass-To-Glass

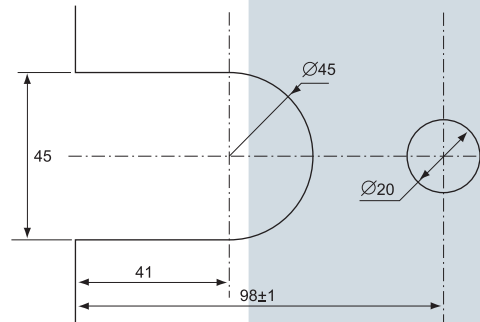


■ GX 991.3 135° Glass-To-Glass

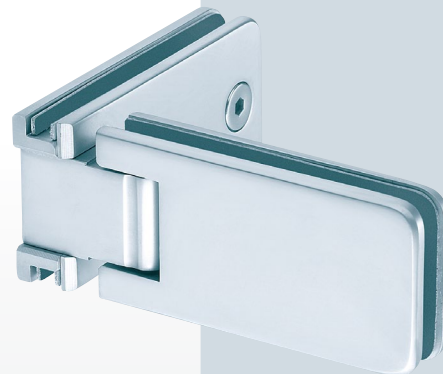
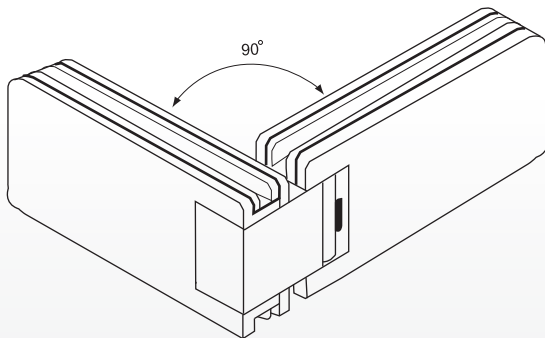
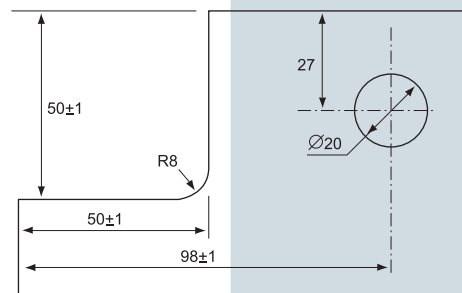
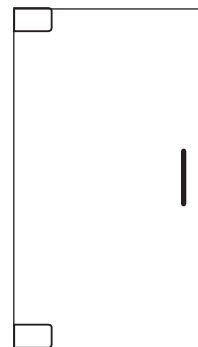


GX 991.1, GX 991.1B, GX 991.2, GX 991.3, GX 991.4, GX 991.5

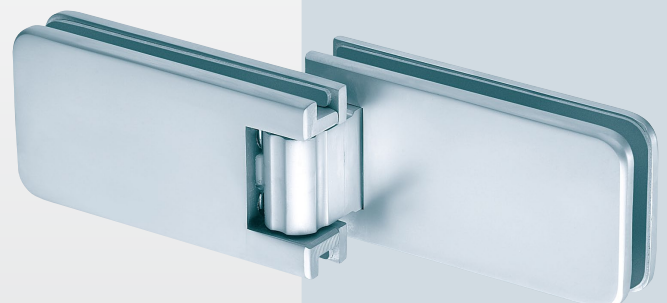
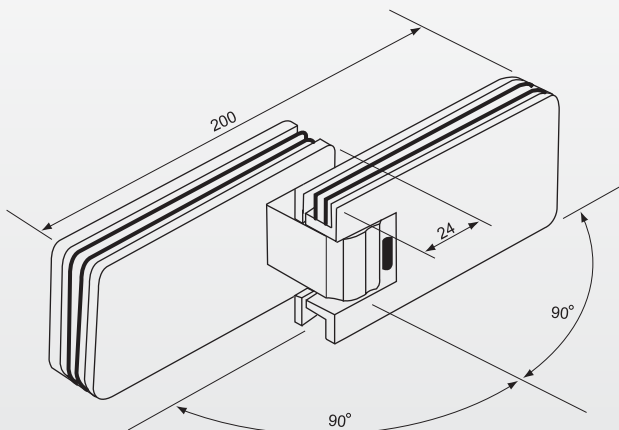
Mounted within door



Mounted at the corner



■ GX 991.4 90° Glass-To-Glass



■ GX 991.5 180° Folding Glass-To-Glass

GCC® GX 680 Series



GX 680.1

- GX 680.1 Wall Mount
- GX 680.1B Wall Mount – One side fixing (see page 6)



- GX 680.2 180° Glass-To-Glass



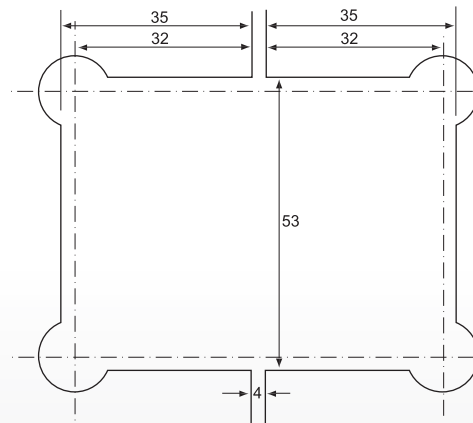
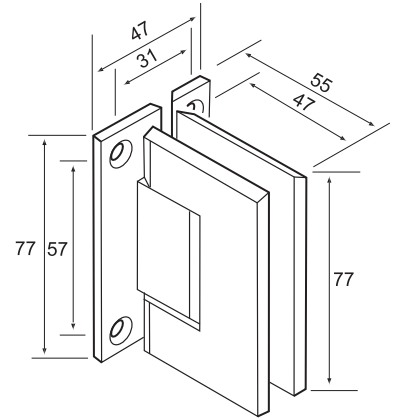
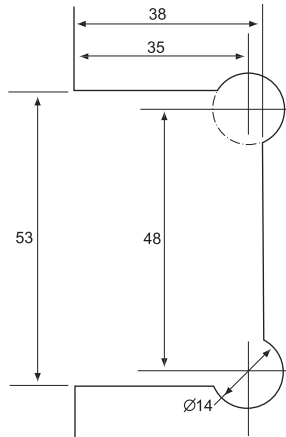
- GX 680.3 135° Glass-To-Glass



- GX 680.4 90° Glass-To-Glass

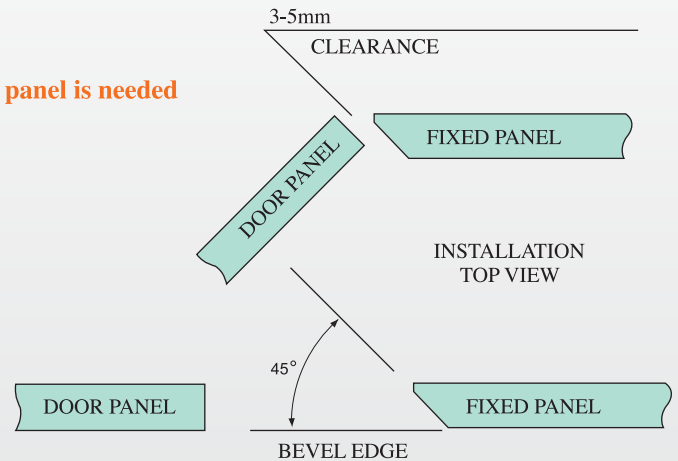
Glass Thickness: 6mm(1/4") or 8mm(5/16") tempered safety glass.
Max. Door Weight: Using 2 hinges for 27Kgs. (60Lbs)
 3 hinges for 40Kgs. (90Lbs)
Max. Door Width: 2 hinges for 700mm (28")
 3 hinges for 800mm (32")
Complete with gaskets, stainless steel screws & wall plugs.
Standard package: pair in one box.

※ Self-centering at around 20° of closed position each side.



GX 680.2
GX 680.3
GX 680.4

NOTE:
Bevel edge on fixed panel is needed for GX 680.3



Glass Clamps-For fixed panel



- Complete made of the SUS 304 Stainless Steel. (SUS 316 Stainless Steel available by order)
- Size: 45x48mm(1-3/4" x1-7/8") each plate.
- Glass Thickness Range: 6mm(1/4"), 8mm(5/16"), 10mm(3/8") or 12mm(1/2") tempered safety glass.
- Hole Size Required: ϕ 16mm(5/8").
- Complete with gaskets, stainless steel screws & wall plugs.

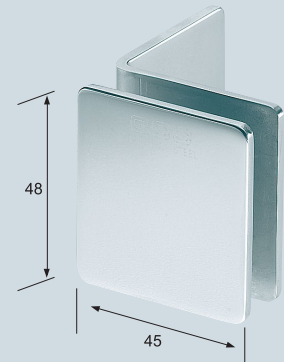
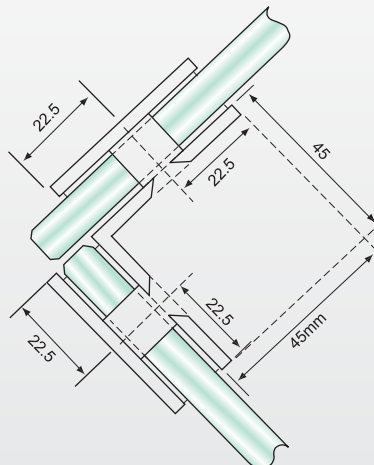
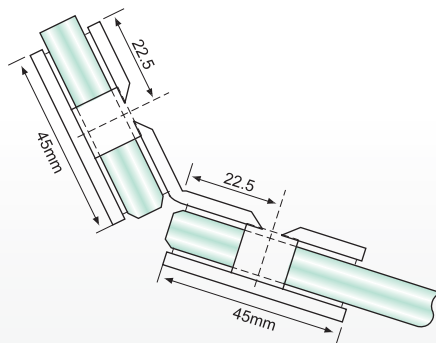
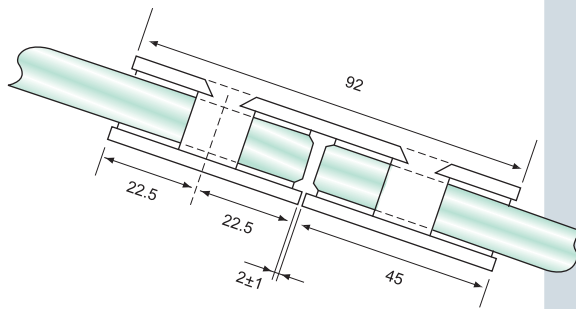
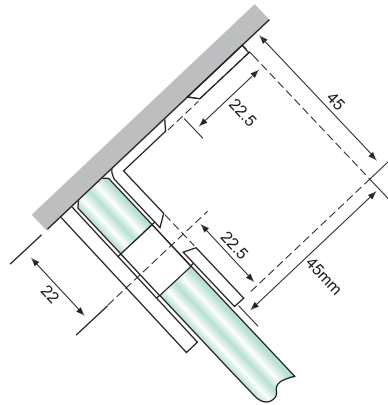
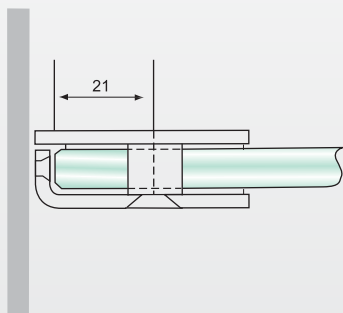
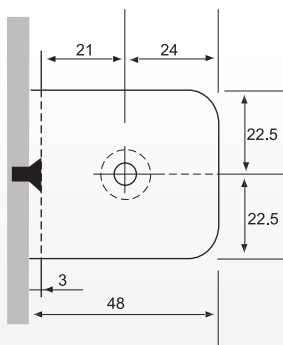
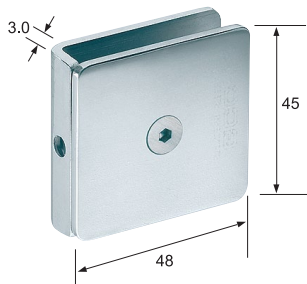
Available Finishes:

PSS:Polished Stainless Steel.

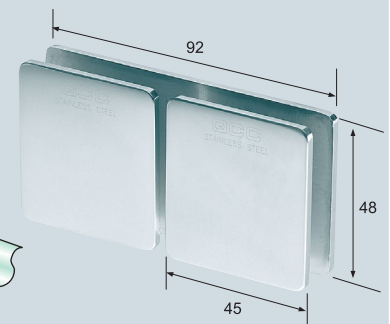
SSS:Satin Stainless Steel.

TP:Titanium plated.(PVD coated as Gold color but never change).

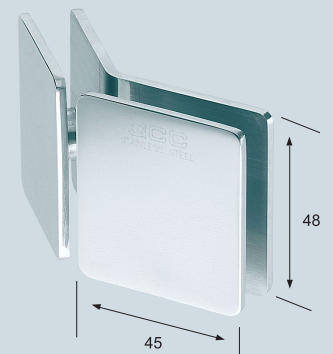
■ GX 45.1 Wall Mount



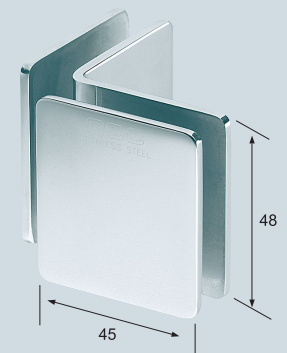
■ GX 45.1L Wall Mount-L Type



■ GX 45.2 180° Glass to Glass



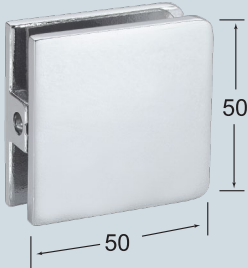
■ GX 45.3 135° Glass to Glass



■ GX 45.4 90° Glass to Glass

Glass Clamps-For Fixed Panel

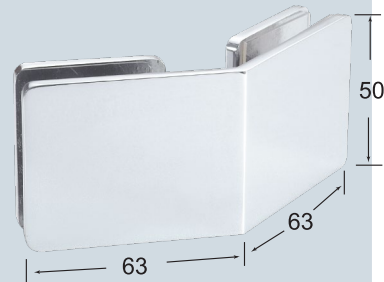
- **Material:** Drop Forged Solid Brass.
- **Glass Thickness Range:** 8mm(5/16"), 10mm(3/8") or 12mm (1/2") tempered Safety glass.
- **Hole Size Required:** $\varnothing 16\text{mm}$ (5/8") .
- **Complete with Gaskets, Stainless Steel Screws & Wall Plugs.**



GX 50.1 Wall Mount



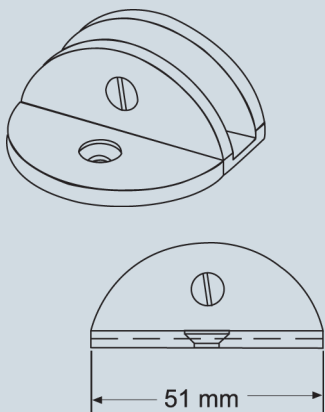
GX 50.2 180° Glass to Glass



GX 50.3 135° Glass to Glass

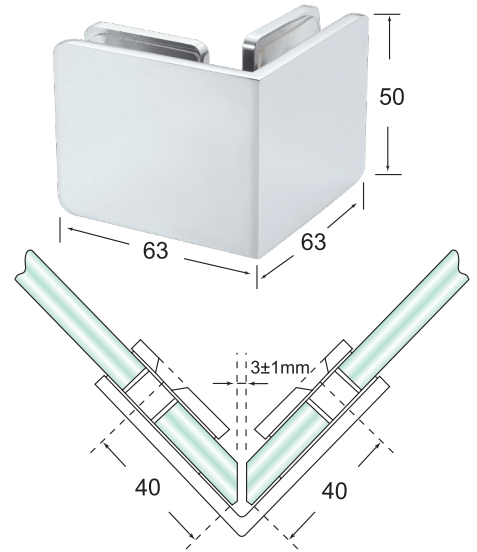
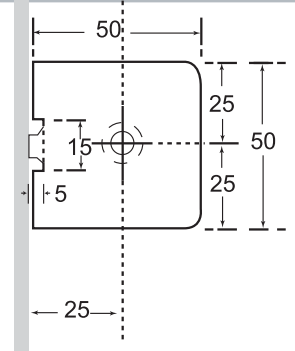
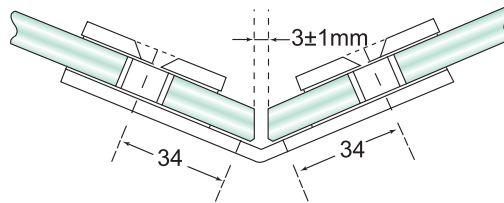
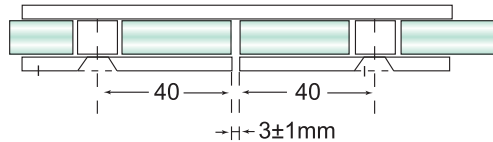
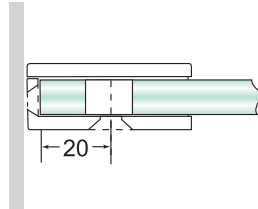


GX 51.1HL Wall mount



Available Finishes:

- PC: Polished Chrome Plate.
- SC: Satin Chrome Plate.
- TP: Titanium Plated (PVD coated as gold color)



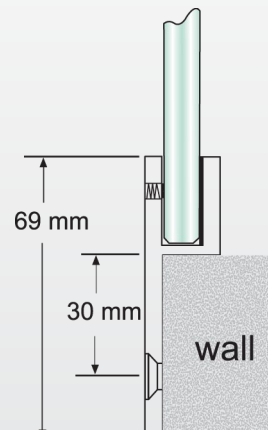
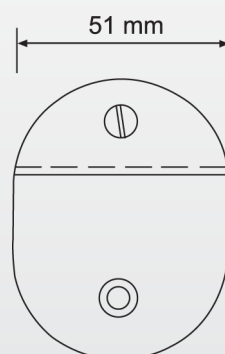
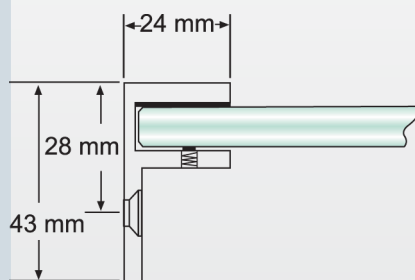
GX 50.4 90° Glass to Glass

- Suitable for 8, 10mm thick. glass.
- For fixing point is away from edge of tile or wall.
- Bracket with horizontal leg.
- **No hole required.**



- Suitable for 8, 10mm thick-glass.
- For fixing point is away from edge of tile or wall.
- Bracket with Vertical leg.
- **No hole required.**

GX 51.1VL Wall mount

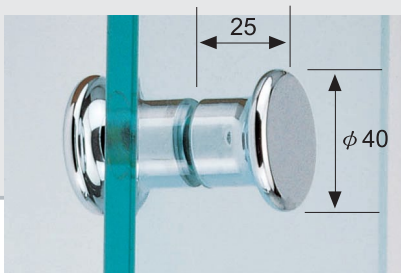


Knobs

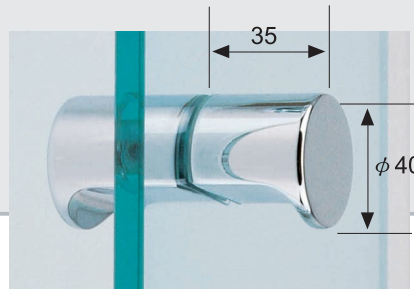
All knobs are suitable for 6mm(1/4"), 8mm(5/16"), 10mm(3/8") & 12mm(1/2") thickness glass.
Hole Diameter: 10mm(3/8") or 12mm(1/2").



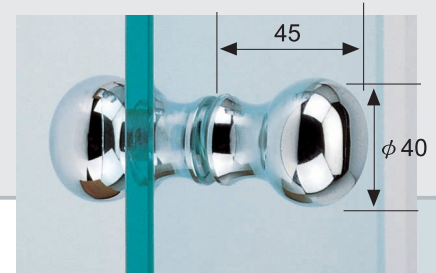
* Single-sided type is available for all models by order except KB/4035



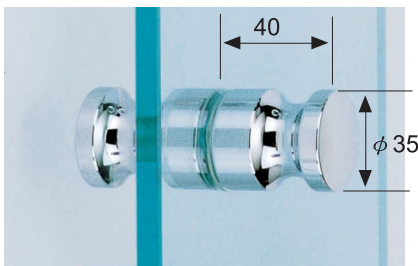
Model: KB/4025
Material: Solid Brass
Finish:
PC: Polished Chrome Plate.
PB: Polished Brass W/clear lacquer.
SC: Satin Chrome Plate.
TP: Titanium Plated(PVD coated as Gold color).



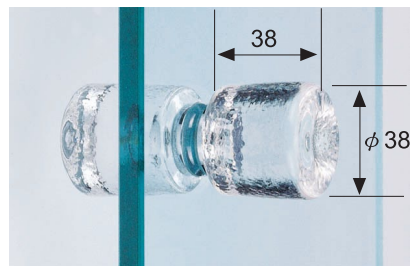
Model: KB/4035
Material: Solid Brass
Finish:
PC: Polished Chrome Plate.
PB: Polished Brass W/clear lacquer.
SC: Satin Chrome Plate.
TP: Titanium Plated(PVD coated as Gold color).



Model: KB/4045
Material: Solid Brass
Finish:
PC: Polished Chrome Plate.
PB: Polished Brass W/clear lacquer.
SC: Satin Chrome Plate.
TP: Titanium Plated(PVD coated as Gold color).



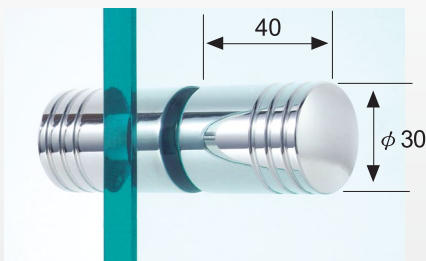
Model: KB/3540
Material: Solid Brass
Finish:
PC: Polished Chrome Plate.
PB: Polished Brass W/clear lacquer.
SC: Satin Chrome Plate.
TP: Titanium Plated(PVD coated as Gold color).



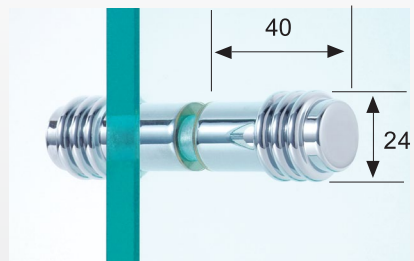
Model: CKB/3838
Material: Pure Glass with Solid Brass base.
Finish:
PC: Polished Chrome Plate.
TP: Titanium Plated(PVD coated as Gold color).



Model: CKB/4050 ϕ 40mm
Model: CKB/5060 ϕ 50mm
Material: Crystal with stainless steel base.
Finish:
PSS: Polished Stainless Steel.
TP: Titanium Plated(PVD coated as Gold color).

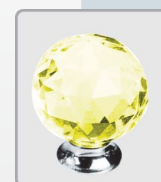


Model: KB/3040
Material: Solid Stainless Steel.
Finish:
PSS: Mirror Polished.
SSS: Satin (Hairline) Polished.
TP: Titanium Plated (PVD coated as Gold color).

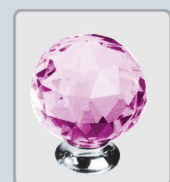


Model: KB/2440
Material: Solid Brass
Finish:
PC: Polished Chrome Plate.
SC: Satin Chrome Plate.
TP: Titanium Plated(PVD coated as Gold color).

Model: CKB/4050 ϕ 40mm
Model: CKB/5060 ϕ 50mm



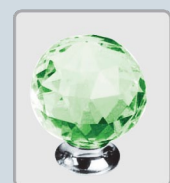
Yellow



Red



Blue

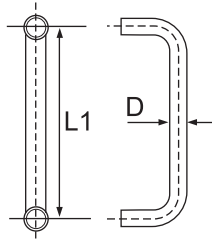


Green

GCC[®] Pull and Towel Bar Sets

- All **GCC** Pull and Towel Bar Sets are constructed of heavy wall SUS 304 stainless steel tubing. Tubing Diameter: 19mm(3/4")
- Fits glass thickness from 6mm(1/4") to 12mm(1/2")
- Available Finishes: **PSS**: Polished Stainless Steel.
SSS: Satin Stainless Steel.
TP: Titanium plated. (PVD coated as Gold color)

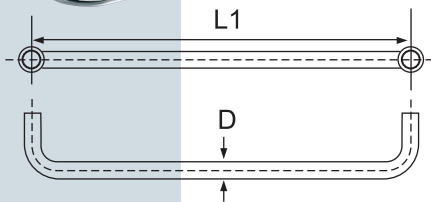
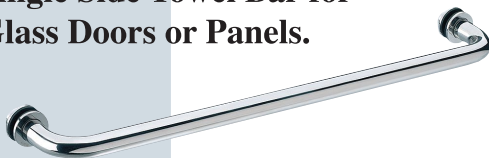
H01



SIZE(mm)

L1(C/C)mm	D m/m
150(6")	19(3/4")
200(8")	19(3/4")
250(10")	19(3/4")
305(12")	19(3/4")
450(18")	19(3/4")

H01S • Single Side Towel Bar for Glass Doors or Panels.



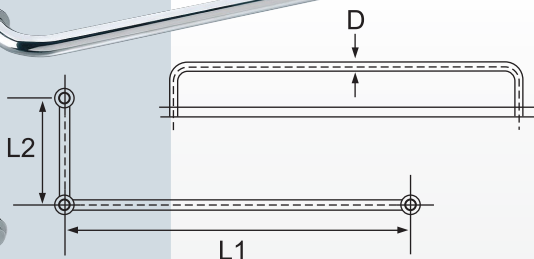
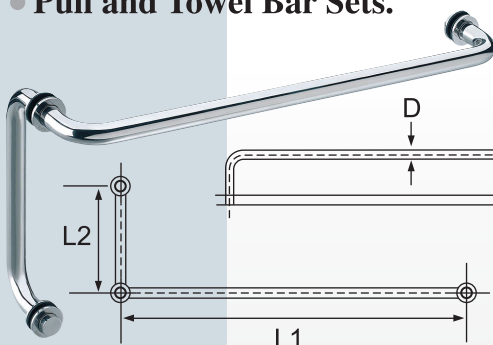
H01SK • Single Side Towel Bar w/Knob.



SIZE(mm)

L1(C/C)mm	D m/m
305(12")	19(3/4")
450(18")	19(3/4")
600(24")	19(3/4")

H12 • Pull and Towel Bar Sets.



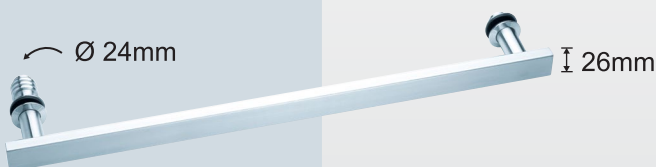
SIZE(mm)

L1(C/C)mm	L2(C/C)mm	D m/m
305(12")	150(6")	19(3/4")
450(18")	200(8")	19(3/4")
600(24")	250(10")	19(3/4")

H25SK • Single Side Towel Bar w/Knob.

SIZE(mm)

L	L1(c/c)
500	450



H25 • Pull and Towel Bar Sets.

SIZE(mm)

L	L1(c/c)
500	450



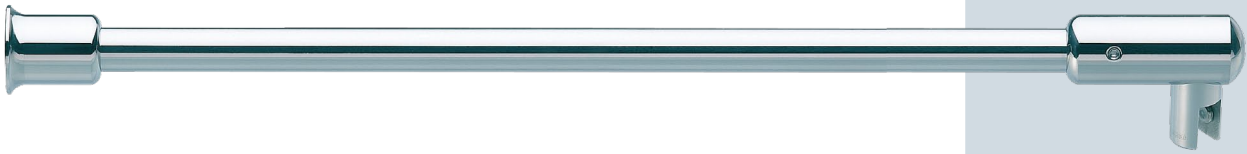
Reinforcement Bars

- **No Hole Drilling Required.**
- Complete made of the SUS 304 Stainless Steel.
- For glass thickness 6mm(1/4") to 12mm(1/2")
- Bar supplied in 1200mm(48") stock length Dia.19mm(3/4").
- Available finishes:**PSS:Polished Stainless Steel.**

SSS:Satin Stainless Steel.

TP:Titanium plated.(PVD coated as Gold color).

■ **RB 12.1A Wall Mount**



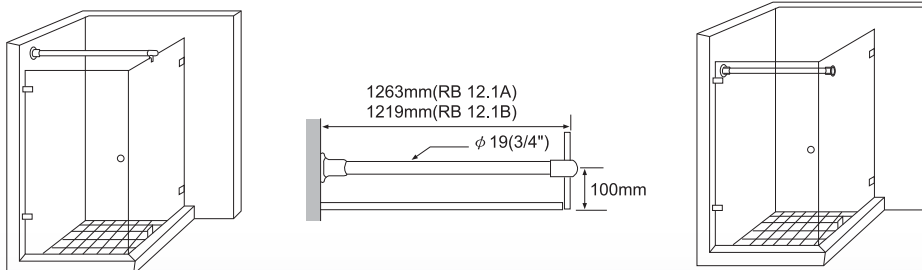
■ **RB 12.1B Wall Mount**



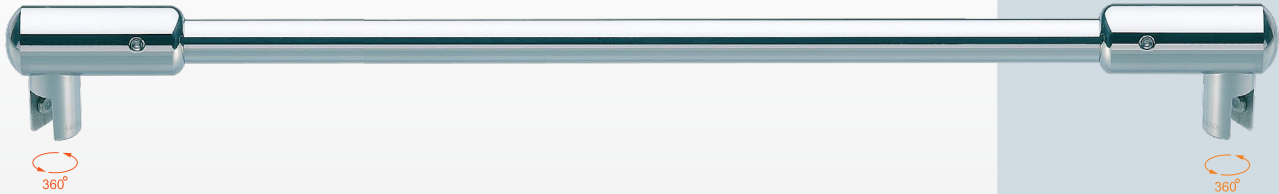
■ **RB 12.1C Wall Mount**



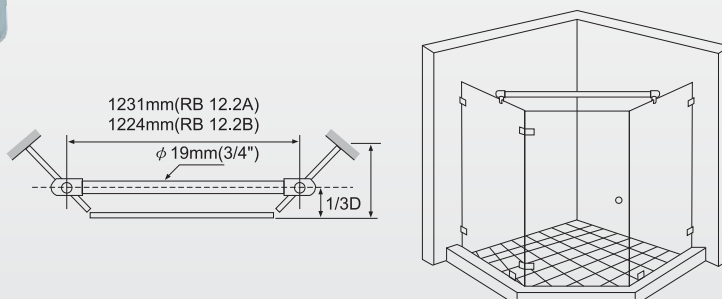
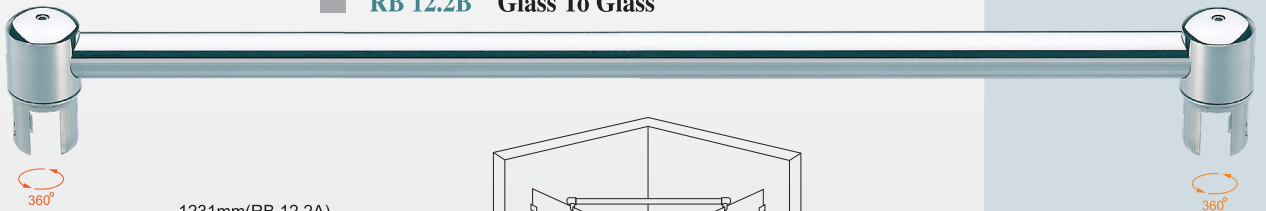
Ø20mm hole on fixed panel is required.



■ **RB 12.2A Glass To Glass**

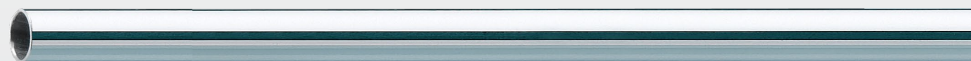
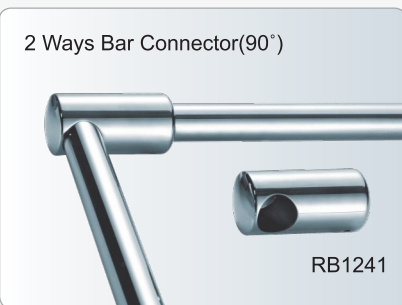
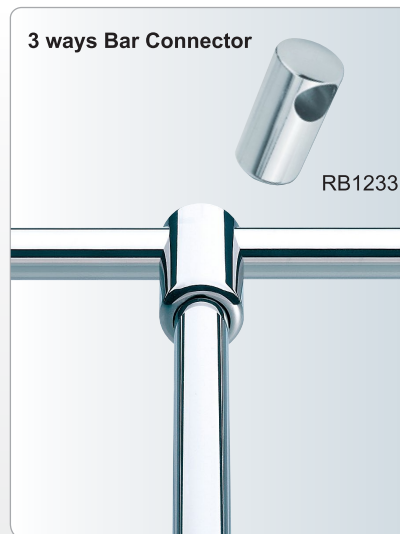
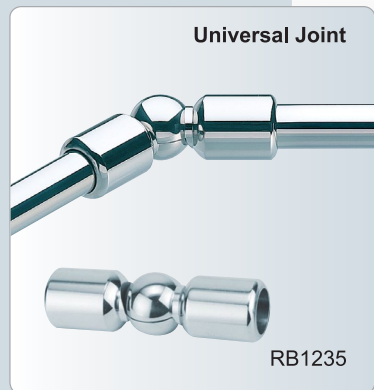
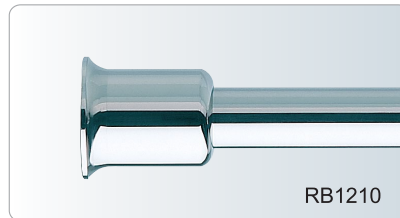
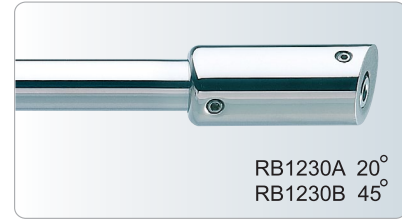
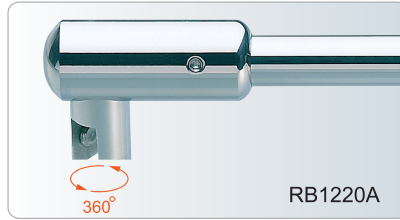


■ **RB 12.2B Glass To Glass**

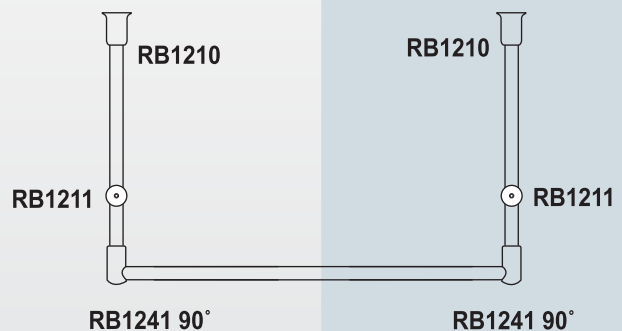
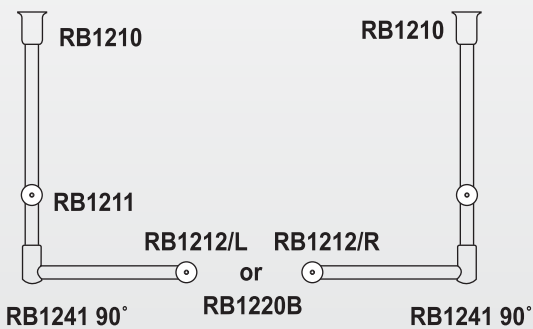
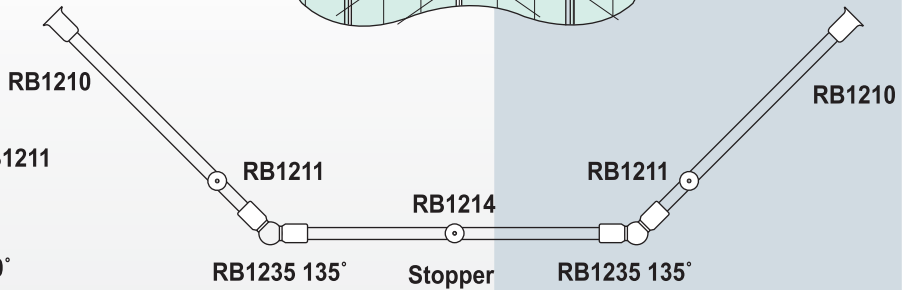
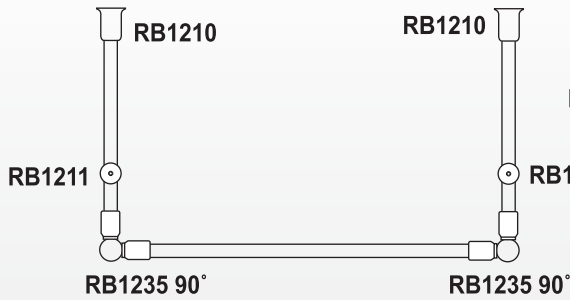
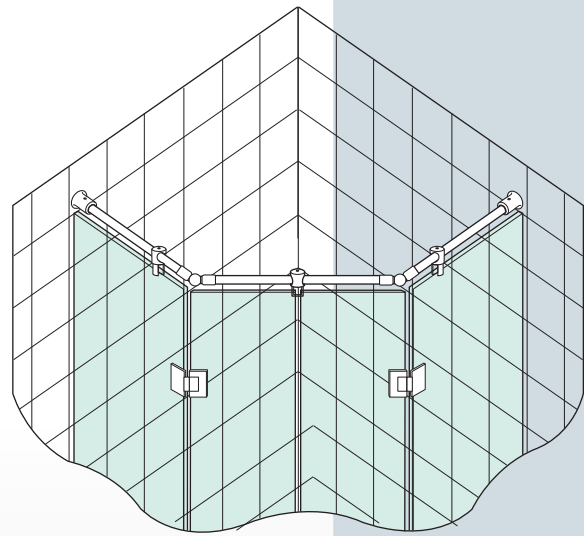
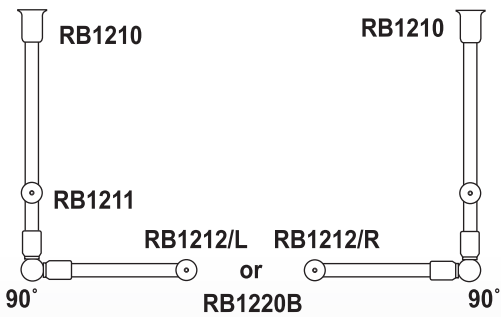
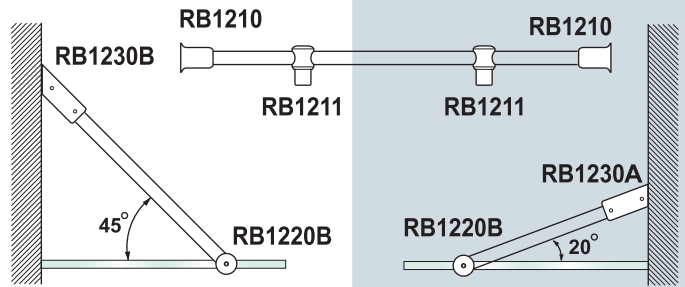
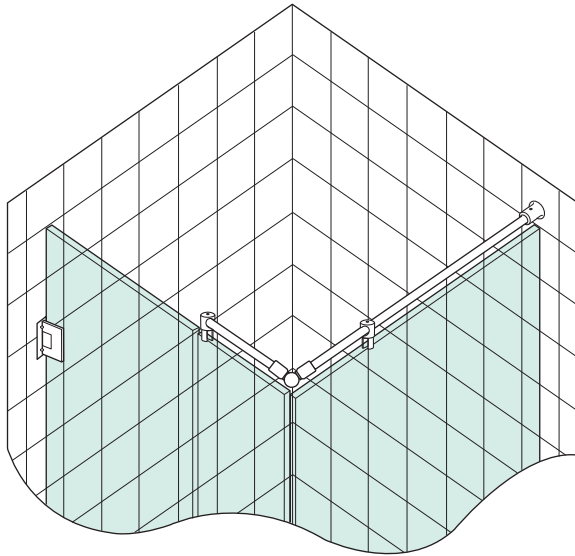
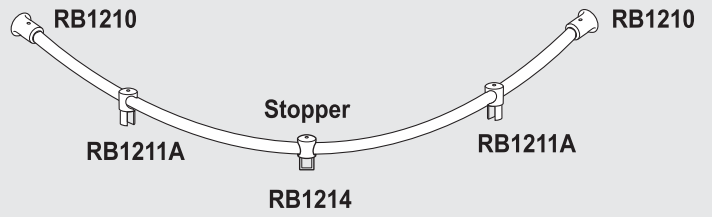
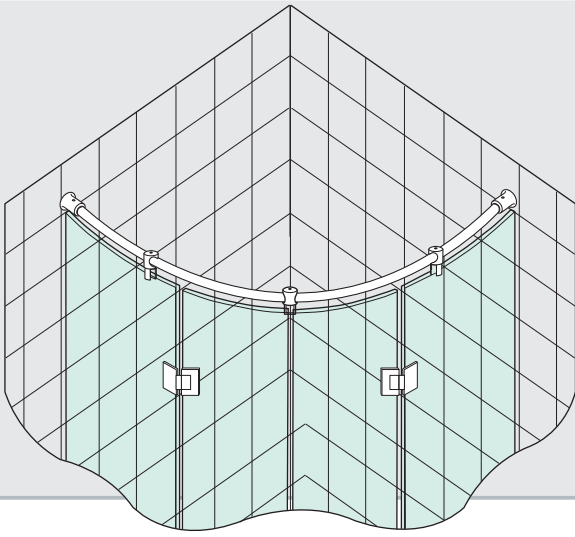


Reinforcement Bars

Accessories



Typical Application

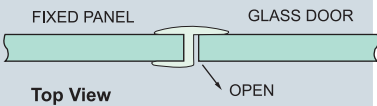
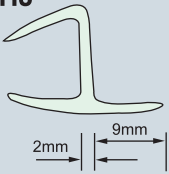


Clear PVC Seals and Wipes

"H" Jamb

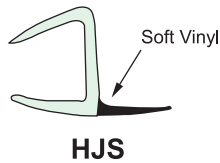
- For 180° Glass to Glass

HJ



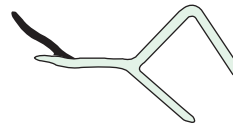
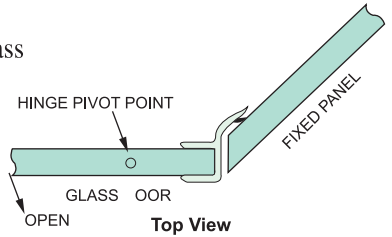
Code No.	Glass Size
P08 HJ	8mm(5/16")
P10 HJ	10mm(3/8")

P06 HJS	6mm(1/4")
P08 HJS	8mm(5/16")
P10 HJS	10mm(3/8")
P12 HJS	12mm(1/2")



Door Jamb

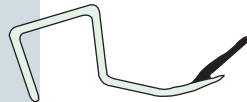
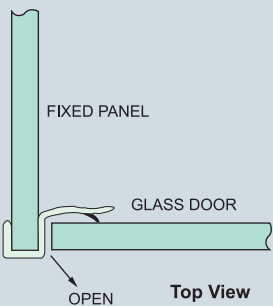
- For 135° Glass to Glass



Code No.	Glass Size
P06 DJ	6mm(1/4")
P08 DJ	8mm(5/16")
P10 DJ	10mm(3/8")

Strike Jamb

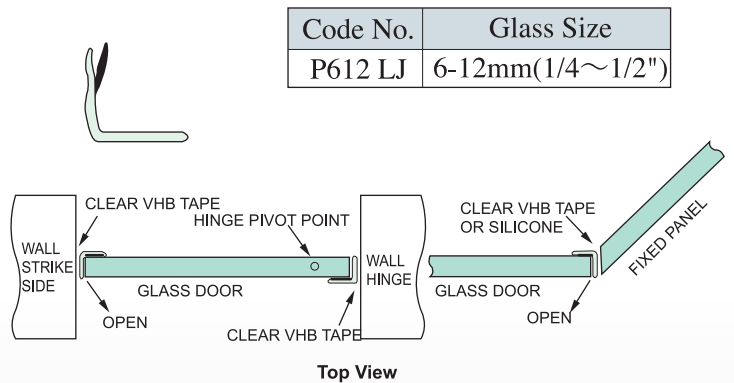
- For 90° Glass to Glass



Code No.	Glass Size
P06 SJ	6mm(1/4")
P08 SJ	8mm(5/16")
P10 SJ	10mm(3/8")

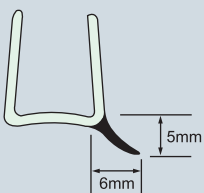
Angle Jamb

- For Glass to Glass or Glass to Wall

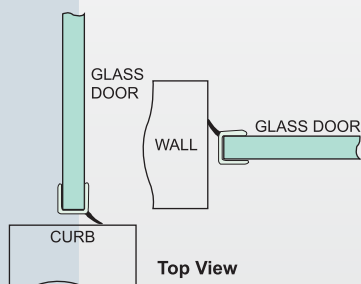


Code No.	Glass Size
P612 LJ	6-12mm(1/4~1/2")

Seal and Wipe



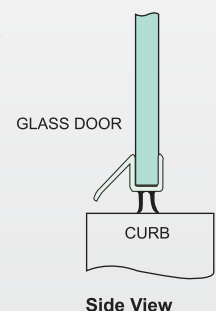
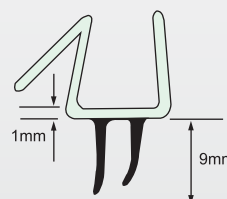
- Snap on door bottom as a wipe.
- Snap on overlapping bi-fold door as a seal.



Code No.	Glass Size
P06 SW	6mm(1/4")
P08 SW	8mm(5/16")
P10 SW	10mm(3/8")

Bottom Wipe with Drip Rail

- Soft wipes for create a water tight seal.
- 45° Drip Rail sheds water back into the shower stall.



Code No.	Glass Size
P06 WDR	6mm(1/4")
P08 WDR	8mm(5/16")
P10 WDR	10mm(3/8")

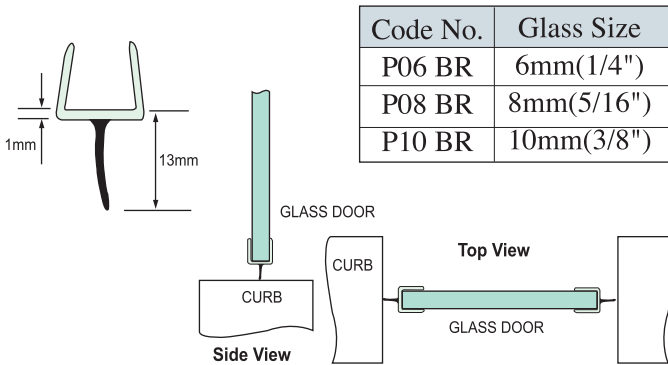
Snap on Tape on types Supplied in 2200mm (87") stock lengths.

• Customer length acceptable by order.

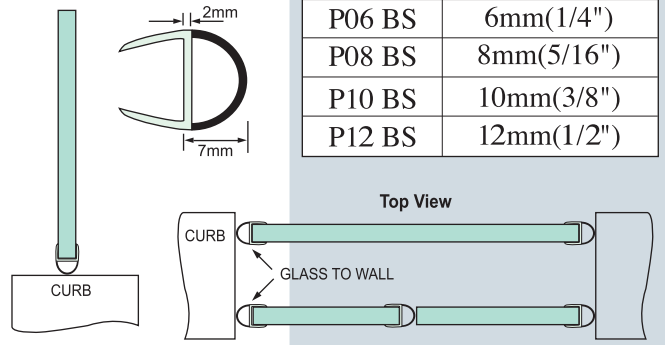


Bottom Rail

- Snap on door bottom achieve a seal.
- Snap on overlapping bi-fold door as a seal.



Bubble Seal

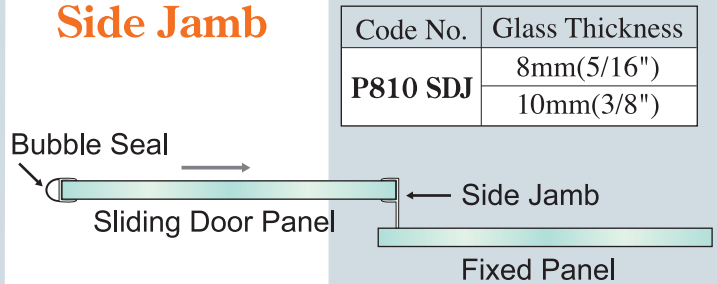


- Snap on door bottom achieve a seal.
- Snap on overlapping bi-fold door as a seal.

MAGNETIC PROFILES(SEALS)

- For both 8mm(5/16") and 10mm(3/8") thick glass.
- For frameless glass to close more tightly.
- Made of co-extruded material with soft magnetic receiver.
- 8mm & 10mm glass are in different clearance.

Side Jamb



PG 10A & PG 10B

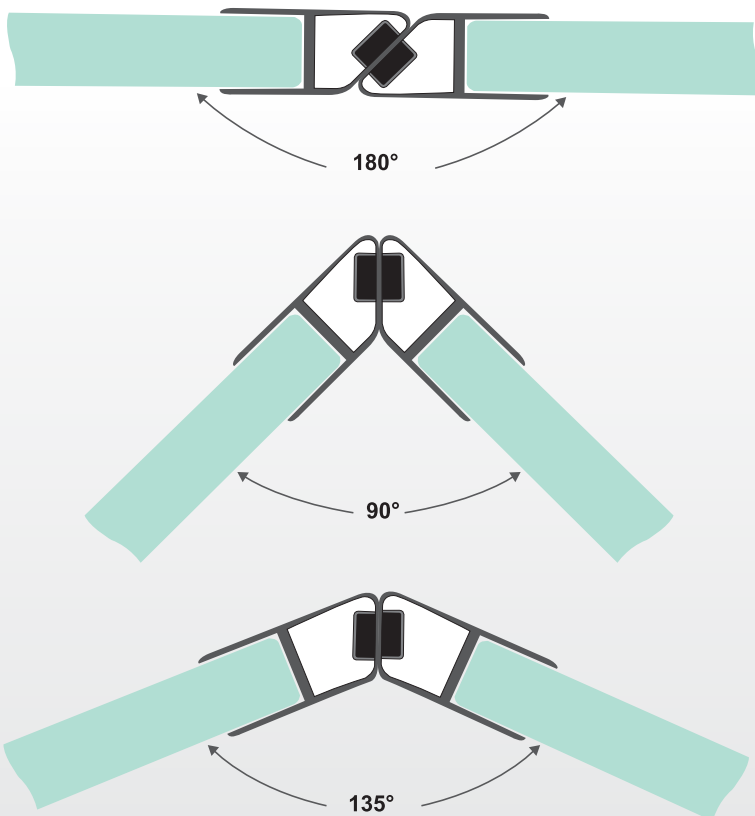
- 180° glass to glass use PG 10A or PG 10B reverse for polarity.
- Length: 2.2M per length.

PG 10A & PG 10B

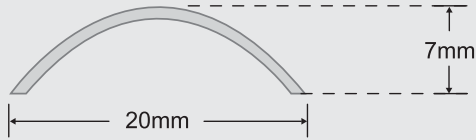
- 90° glass to glass (reverse for polarity)
- Length: 2.2M per length.

PG 10D & PG 10E

- 135° glass to glass.
- Length: 2.2M per length.



■ TH - 01 Shower Door Threshold

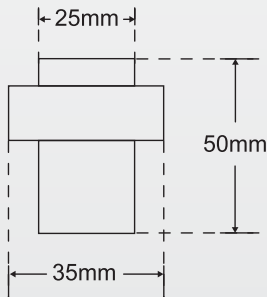


- Made by Stainless Steel SUS304 and Mirror polished.(PSS) (standard stock).
- Length:1000mm per length (standard stock).
(Other length available by order).



DS - 01 Door Stopper

- Made by Solid Stainless Steel SUS304 With black rubber.
- Finish: PSS: Mirror polished.
SSS: Satin (Hairline) polished.
- Fixing screw & anchor are included.



■ KP-52 Keeper Plate



IDL - 52



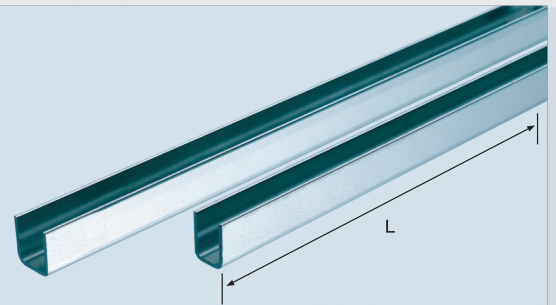
For keeping and stopping single action door panel (IDL-52).

Material: SUS 304 Stainless Steel.
Finish: PSS: Mirror polished.
SSS: Satin (Hairline) polished.

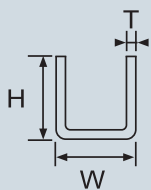
U Channel-For Fixed Panel

- **Material: Stainless Steel SUS 304 (Standard stock) or SUS 316 (by order).**

Available Finishes: PSS:Polished Stainless Steel.
SSS:Satin Stainless Steel.
TP:Titanium plated.(PVD coated as Gold color).



Unit:mm



Code No.	W	H	T	L
U-142020	14	20	2	2200
U-132015	13	20	1.5	2200
U-172020	17	20	2	2200
U-162015	16	20	1.5	2200
U-171815	17	18	1.5	3000

Code No.	W	H	T	L
U-172515	17	25	1.5	3000
U-172512	17	25	1.2	2400
U-172512	17	25	1.2	3000
U-172012	17	20	1.2	2400
U-172012	17	20	1.2	3000

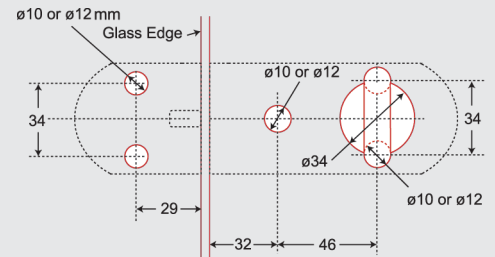
- * Thickness, Length & Size are acceptable by order
- * Ø 6mm hole for screw fixing available by order.

Indicator Locks & Keepers

- Lock with SUS 304 Stainless Steel Knobs & Covers.
- Coin Open From Outdoor for Emergency.
- Suitable for Glass Door Panel Thickness: 8, 10, 12mm.
- **Available Finishes:** PSS: Polished Stainless Steel.
SSS: Satin Stainless Steel.
TP : Titanium plated.
(PVD coated as Gold color.)

Germany, Taiwan Patented U.S.A. Patent Pending

Notches

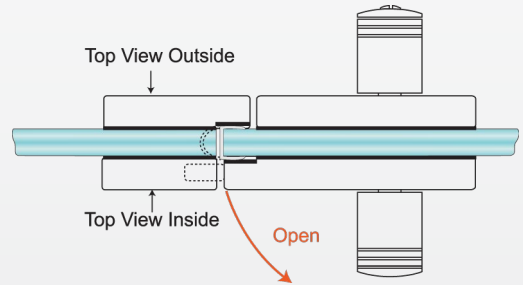


IDL-52K IDL-52
IDL-52LK IDL-52L

Single Action type-swing indoor.

IDL - 52

IDL - 52K



Outdoor

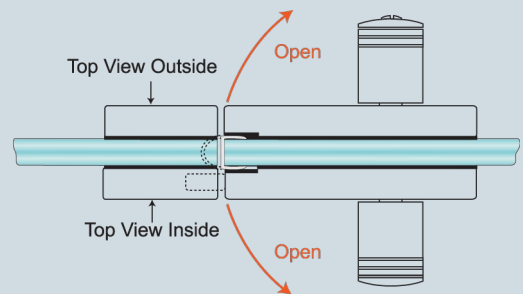
Indoor

Red (Locked) Green (Unlock)

Double Action type-swing indoor or outdoor.

IDL-52L

IDL-52LK



Outdoor

Indoor

Red (Locked) Green (Unlock)

G-Tech Frameless Door Systems

GX 512 Series

- This series are non-spring hinges and are made of SUS 304 stainless steel.(SUS 316 Stainless Steel available by order).
GX 512 Hinges are non-spring and single action design, for proper usage, suggest to use with GX 62MH Series or Magnetic Seal (see page 18) to catch and stop door panel in the center.
- Prepared for 8mm, 10mm & 12mm thick. glass.
- Max. door weight: 50Kgs (110Lbs) per pair recommend 3 hinges for door weight over 50Kgs.
- Max. door width: 1000mm
- Finish: SSS(Hairline Polished)

GX 62 Series

- Connector-for fixed panel.

GX 62 MH Series

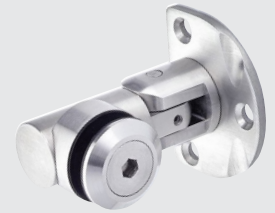
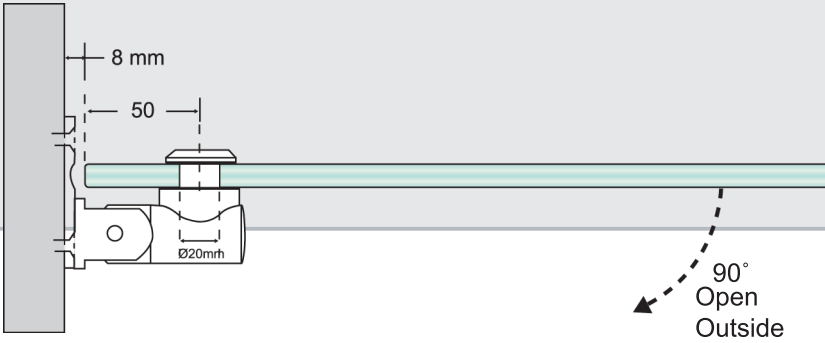
- This series are door stops with concealed magnetic inside to catch door panel.



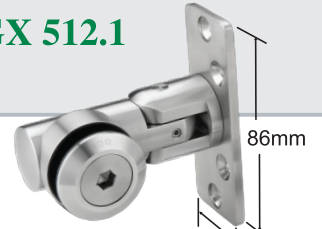
For detail technical information, please refer to **GCC** G-Tech Frameless Door System Catalogue.



GX 512.1 Glass to Wall Hinge **U.S.A. TAIWAN PATENTED.**

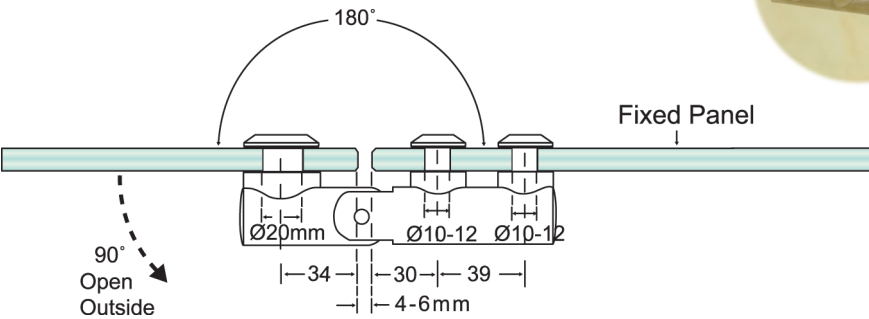


GX 512.1



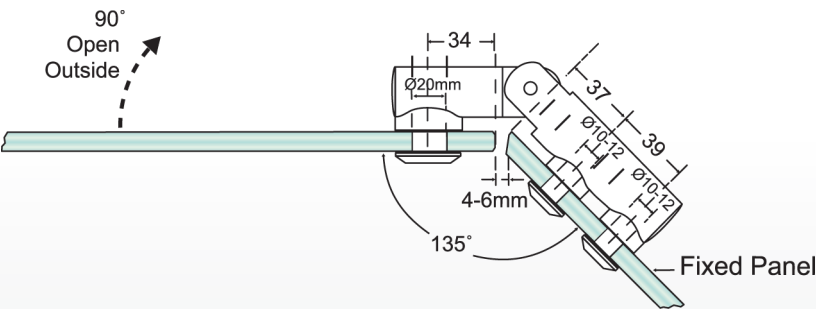
GX 512.1S

GX 512.2 180° Glass to Glass Hinge **U.S.A. TAIWAN PATENTED.**



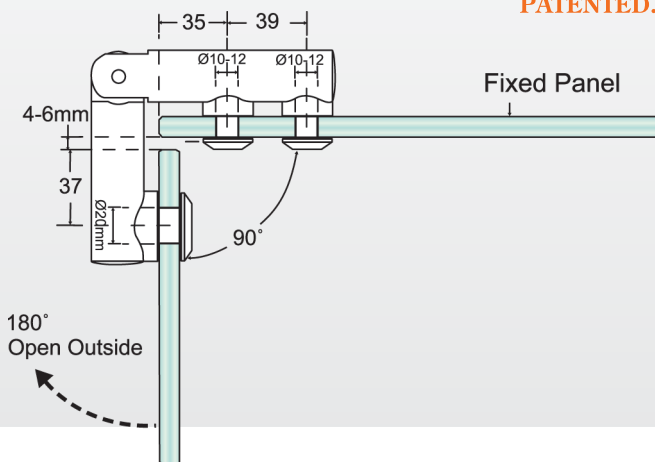
GX 512.2

GX 512.3 135° Glass to Glass Hinge **U.S.A. TAIWAN PATENTED.**



GX 512.3

GX 512.4 90° Glass to Glass Hinge **U.S.A. TAIWAN PATENTED.**



GX 512.4



In the field of architectural fittings for aluminum & tempered glass doors. both high quality and total design flexibility are essential criteria together with ease of installation, safety and function.

GCC full range of fittings are aesthetically designed and manufactured to provide practicality and security to tempered glass assemblies, such as Tempered Glass Door Fittings, PVC Seals W/Weather Strips, Glass Clamps, Shower Door Hinges, Handles & Knobs, PVC Seals & Wipes and Reinforcement Bars for Shower Screen. Door Rails, Pivoting Door systems, office partition systems, Lever Hinges & Locks, Heavy-Duty Sliding Wall systems, Heavy Duty Sliding & Folding Door System, Floor Spring, Concealed Overhead Door Closer, Glass Connectors....etc. For details welcome to visit our website at www.gccintw.com.tw

GCC will be happy to help your special requirements, for any doubts, please contact your nearest **GCC** distributors for any technical assistance on parts and services, or contact us directly.

If you are looking for high quality products, **GCC** is your best choice.



PGF
Prestige Glass Fittings

Unit 8/3 Selgar Ave
Clovelly Park, SA 5042

Phone: 0429 933 583

Email: sales@prestigeglassfittings.com.au

Web: www.prestigeglassfittings.com.au

Notes: